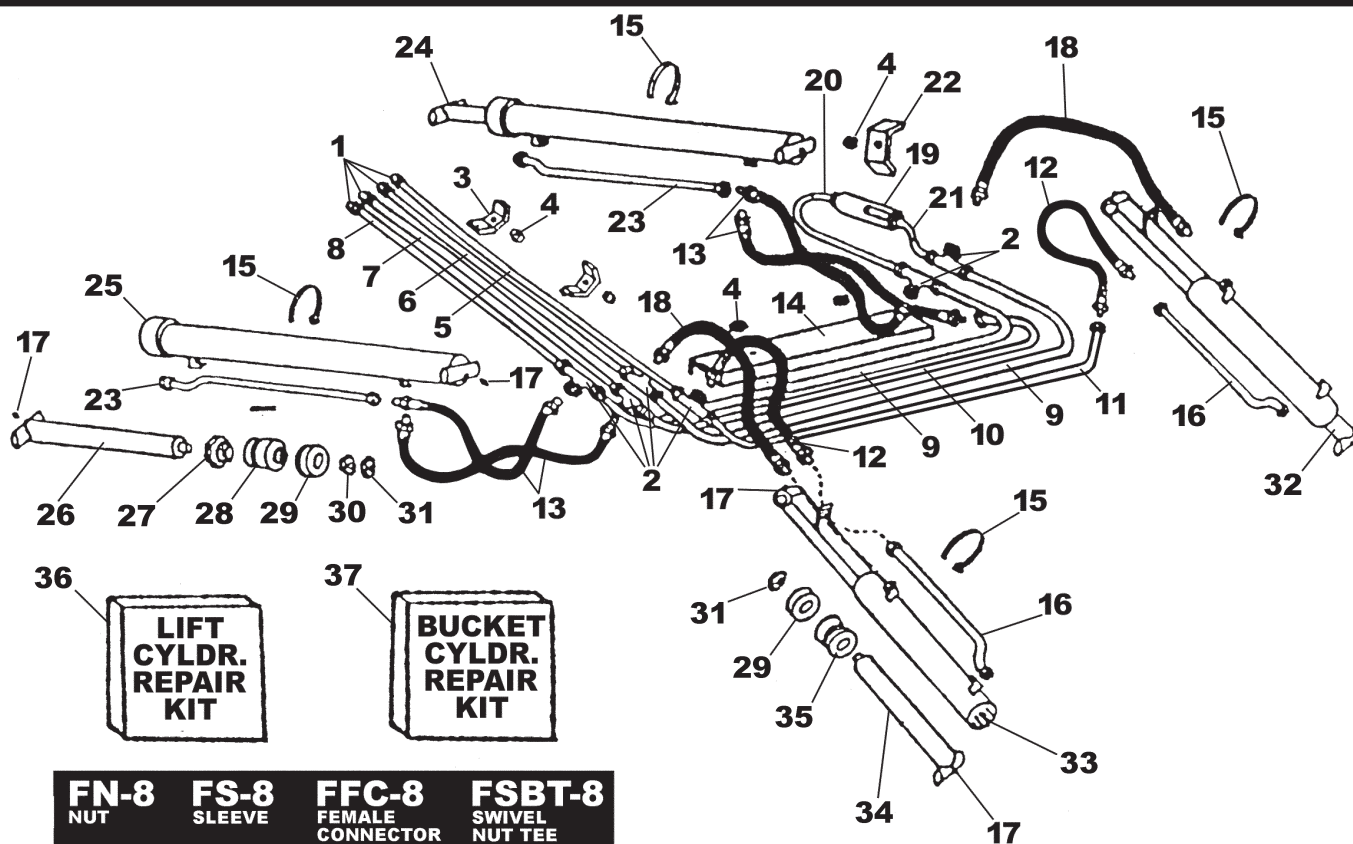


BASIC LOADER REPLACEMENT PARTS

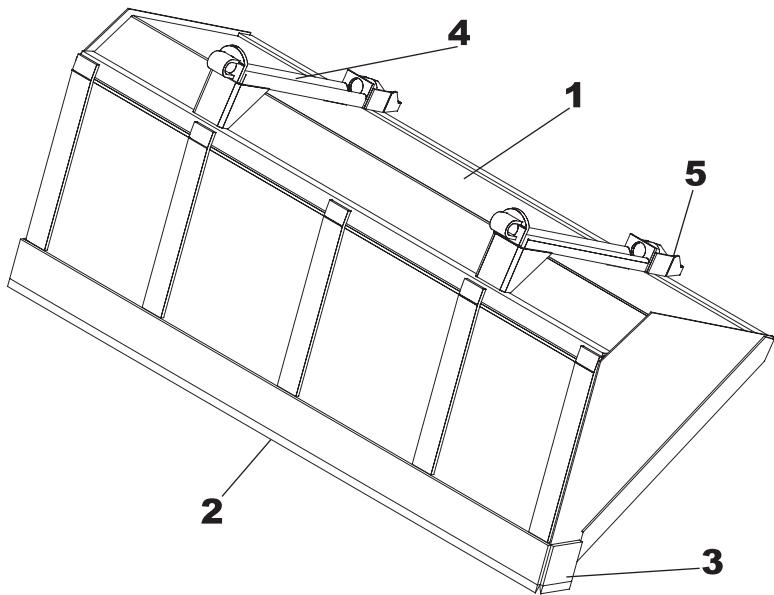
Ref.	Part No.	Description	Qty.	Ref.	Part No.	Description	Qty.
1	LMT-1AS	TOWER (STANDARD)	--	17	LMF-126AS	UPPER GAUGE ROD PIN	1
1	LMT-101AS	TOWER (64A)	--	18	LMF-125AS	LINKAGE PIN	2
2	BT-18AS	FLOP LOCK	2	19	LMF-28AS	PIN	2
3	LMF-4AS	FRAME (ONLY)	1	20	LMF-29AS	HINGE PLATE	4
4	LMF-31AS	GAUGE ROD HOLDER	1	21	LMF-30	STRAP	2
5	LMF-47	GAUGE ROD	1	22	LMF-118AS	PIN	3
6	HHS1011028	FLOP LOCK BOLT	2	23	LMF-14AAS	CONNECTOR LINKAGE	2
7	JT-20	PIN	2	24	LMF-110	HINGE BAR	2
8	QC-317	SPACER WASHER	2	25	LMF-110AS	HINGE BAR ASSEMBLY	2
9	ZER1805	GREASE FITTING	16	26	HFN1614	NUT	2
10	SB-7	1-HOLE BUSHING	--	27	WW-300	ARM END CASTING	2
11	JB-5	BUSHING	--	28	WW-300-A	1-1/4" CASTING	2
12	QC-102	BUSHING	--	29	LMF-23AS	TOP LINKAGE ARM	2
13	QC-104	BUSHING	--	30	DRP0600028	DOUBLE ROLL PIN	4
14	LF-83	PIN	2	31	DRP0600032	DOUBLE ROLL PIN	10
15	CTK0400032	COTTER KEY	1	32	LMT-20	PIN	4
16	LMF-24AS	HINGE PIN	2	33	NAF-217	SPACER WASHER	1



BASIC LOADER REPLACEMENT PARTS

Ref.	Part No.	Description	Qty.	Ref.	Part No.	Description	Qty.
1	FFC8	FEMALE CONNECTOR	4	20	OLT-22	OIL LINE	1
2	FSBT8	SWIVEL NUT TEE	6	21	OLT-23	OIL LINE	1
3	OH-3	OIL LINE HOLDER	2	22	OH-5	OIL LINE HOLDER	1
4	HFN0616	3/8" NUT	5	23	OLT-3	OIL LINE	2
5	OLT-40	OIL LINE	1	24	L-12A	LIFT CYLINDER	2
6	OLT-41	OIL LINE	1	25	L-1201	LIFT CYLINDER BARREL	2
7	OLT-42	OIL LINE	1	26	L-1210	LIFT CYLINDER RAM	2
8	OLT-43	OIL LINE	1	27	L-1251	GLAND NUT	2
9	OLT-44	OIL LINE	2	28	G-D	GLAND	2
10	OLT-45	OIL LINE	1	29	P-B	PISTON	4
11	OLT-46	OIL LINE	1	30	HJN1614	1" JAM NUT	2
12	H06030FF	30" HOSE	2	31	HFN1614	1" NUT	4
13	H06020FF	20" HOSE	4	32	B-3A	BUCKET CYLINDER	2
14	OH-1	OIL LINE HOLDER	1	33	B-301A	BUCKET CYLINDER BARREL	2
15	BAND-15	METAL BAND	4	34	B-310	BUCKET CYLINDER RAM	2
16	OLT-1	OIL LINE	2	35	G-E	TAPER GLAND	2
17	ZER1805	GREASE FITTING	8	36	#6CK	REPAIR KIT (LIFT)	*
18	H06040FF	40" HOSE	2	37	#4CK	REPAIR KIT (BUCKET)	*
19	SLV-1	SELF LEVELING VALVE	1				

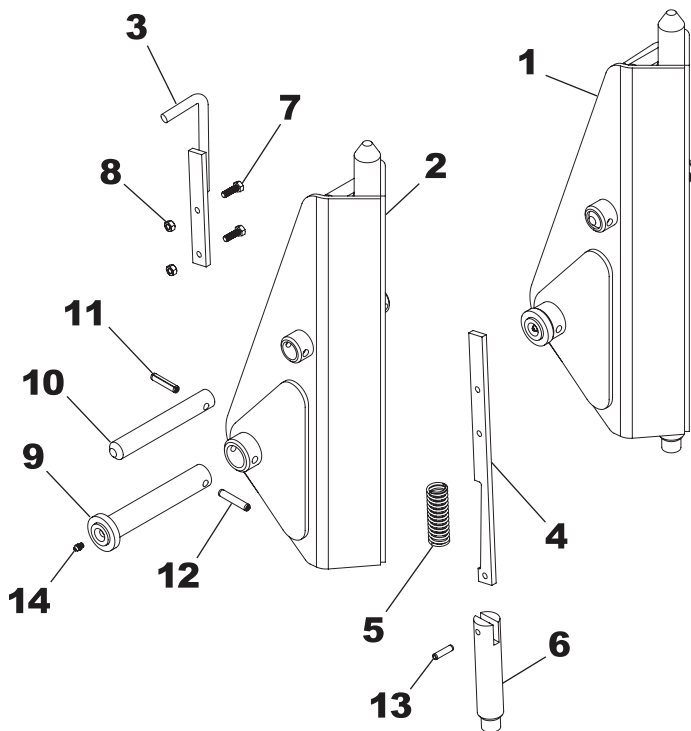
*Contains O-Rings, Back-up Washers, Piston Rings, Snap Rings & Seal to repair one cylinder.



BUCKET

Ref.	Part No.	Description	Qty.
1	84Q425	84" BUCKET COMPLETE	*
1	96Q429	96" BUCKET COMPLETE	*
2	SB-14	84" - CUTTING EDGE	*
2	CB-14	96" - CUTTING EDGE	*
3	SB-15	SIDE BLADE	2
4	QC-13AAS	RECEIVER ADAPTOR	2
5	JB-22	ATTACH GUIDE (OPTION)	

NOTE: *Depends on width--measure width to get right part.



SNAP-ATTACH™ COUPLER (C-4B)

Ref.	Part No.	Description	Qty.
1	QC-1201COM	SNAP ATTACH™ (COMPLETE)	1
2	QC-1201AS	SNAP ATTACH™ (SHELL)	1
3	QC-6AS	HANDLE	1
4	QC-8	LATCH	1
5	QC-12	SPRING	1
6	QC-3	PLUNGER	1
7	HHS0518016	5/16" X 1" BOLT	2
8	HTN0518	5/16" LOCK NUT	2
9	XAF-55AS	LINKAGE PIN	1
10	LF-51	1" PIN	1
11	DRP0600028	DOUBLE ROLL PIN	1
12	DRP0600032	DOUBLE ROLL PIN	1
13	RLP0500020	ROLL PIN	1
14	ZER1805	GREASE FITTING	1

NOTE: Qty. shows the number of parts you will receive if you place an order using these part numbers. C-4B is two (QC-1201COM) couplers.

COSMETICS

Ref.	Part No.	Description	Qty.	Ref.	Part No.	Description	Qty.
1	DEC-64	DECAL KIT	1	4	V-5403-Q	QUART RED PAINT	1
2	V-5403-A	RED SPRAY PAINT	1		V-9524-Q	QUART BLACK PAINT	1
	V-9524-A	BLACK SPRAY PAINT	1	5	V-5403-G	GALLON RED PAINT	1
3	V-5403-P	PINT RED PAINT	1		V-9524-G	GALLON BLACK PAINT	1
	V-9524-P	PINT BLACK PAINT	1				

NOTE: Warning decals are available at no charge. If they become damaged or missing, order part number DE-DW, DE-WWW, DE-PP, DE-QCC.