

WESTENDORF HEAVY-DUTY WAGON GEARS

MANY YEARS OF RUGGED USE

Our heavy duty wagon gears are designed and engineered to give you top performance for many years of rugged use. With so many extra advantages, combined with a competitive price, you are sure to get the best value for your dollar.



14-Ton Tandem Wagon Gear

- Extra short turning radius
- Different tire options
- Anti-wear bushings
- Built in camber and castor allow superior trailing
- Telescoping tongue for easy hook-up
- Tongue with spring assist to lighten the weight for easy hook-up (larger models)



Special Reach Clamp Easily adjust gear's length to fit an existing box, hay rack or flatbed. Includes assurance chain.

High carbon steel spindle and extra heavy-duty hub construction. Special space age material in bushings and thrust washers for longer life to reduce friction on heavy loads.



WAGON PACKAGES

For illustration purpose only, towing multiple loaded wagons is not recommended.

Westendorf's wagons have it all—quality and innovative design. With features like a gravity flow box that empties in less than a minute, low-profile and rocking bolsters, you can expect years of trouble free use. The Westendorf gear is known for its extra short turning radius, giving you flexibility in the field, in the yard or on the road.

- Built-in rocking bolsters
- Smooth, strong corners
- Computer designed for even load distribution
- Closed formed box resists twisting
- Easy access ladder with room between the box
- Directional lights and viewing window



WAGON GEARS

Wagon Gear	P/N	Spindle	Tread
10 Ton*	WW-1610	1-15/16"	73"
12 Ton*	WW-2012	2-1/4"	75"
14 Ton	WW-2214	2-1/2"	88"
14 Ton Tandem	TW-2014	2-1/4"	75"
16 Ton*	WW-2416	3"	79"

*Please specify stake kit or stake/hinge kit when ordering

WAGON PACKAGES

Bushels	P/N	Gear
300	WW-325	10 Ton
350	WW-H375	12 Ton
400	WW-H425	12 Ton
350	WW-L375	14 Ton
400	WW-L425	14 Ton
400	WW-T425	16 Ton

NEW

A TANDEM AXLE KIT FOR YOUR WAGON GEAR? Convert any single axle gear to a tandem gear.

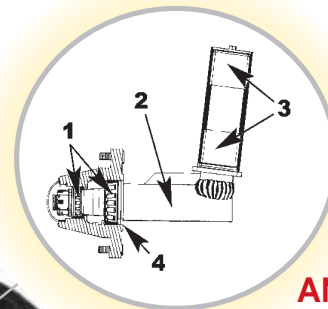


TWC-8

NO HOLES TO WEAKEN

EXTRA HEAVY-DUTY 16-TON GEAR

Features super strong steering structure, stronger tie rod design and pin construction.



SOLID HUB AND SPINDLE CONSTRUCTION

- 1) Space Age Bushing Material for longer life & superior trailing
- 2) 3" Spindle of High Carbon Steel
- 3) First line truck bearing and seals
- 4) 8-Bolt hubs machined for brakes



Original Patent



WW2416

16-Ton