



TA Series

Our expansive Traction Action (TA) product line includes a wide variety from Mid-Sized loaders to Super-Sized loaders designed to fit 2WD and 4WD tractors ranging from 10 HP to 240 HP. Nobody knows loaders like Westendorf. No matter what the need or which tractor you are trying to fit, Westendorf can fit you into a loader that's a cut above the rest. Just look at some of the key features that create the Westendorf advantage. Hydraulic Power-Mount™. Patented Snap-Attach™ Quick Change System. Custom adjust brackets. I-Beam construction. Level-Matic™. Low-Profile design for 4WD tractors. Hydra-Snap™ one-step coupling. Comfort Ride.



Steve Craig with Taco - Ashland, MO



"I am extremely happy with my Westendorf TA-26 loader. I have always bought other brands in the past, but they don't hold a candle to a Westendorf loader. I like it 100%!"

Powerful Traction Action Loaders

– raise the standards of performance

The mid-sized to super-sized loader series is designed for 2WD and 4WD tractors from 30 HP to 240 HP. Get that extra oomph you need at heights up to 17'4" and be able to stack what you want—where you want it—while maintaining the professional feel of a loader that fits properly.

Extras that “fit” your needs

How do you compare the true, overall performance and user conveniences of a loader. At Westendorf, we pay close attention to the small details and offer many custom features that make your overall loader experience user-friendly and hassle-free. Our customers' favorite features are standard in our loader packages and include items such as: Snap-Attach™, Power-Mount™, bigger quality built buckets and gauge rod. Add application specific extras

such as: a Back Drag Blade for added cylinder protection when doing dirt work, Hydra-Snap™ for quick loader to tractor connection when you share a loader between multiple tractors, or get self-locking chain hooks welded to the bucket at the factory. You can also upgrade the performance of your loader with larger cylinders, valve and joystick or rotational indicators that will monitor both the bucket position and loader position from the ground to the loader's full height. Ideal for frequent hay handlers.

FEEL and SEE the difference

Don't forget to ASK one of the most vital questions when you shop for a loader. How will the loader “look” on my tractor? Is it the right size? Don't settle for a loader that doesn't fit. A well fitting loader will feel like part of the tractor, not an extension of it. The loader shown below will have huge visibility issues. Its position on the tractor is too high, creating a tunnel. With nearly 40 loaders to choose from, we can select the right “size” loader for your tractor so you don't have to make sacrifices to get the power you need.



We put it where it counts!

It's not how much steel you can use to make the arm strong, but where you position the steel to maximize the arm strength to prevent unnecessary stress on the tractor.



Westendorf's “exclusive” arm design resists extra side forces that the four-wheel drive tractor introduces. The double tapered arm is designed with a unique internal I-beam inserted into the arm to create a double wall on the top and bottom of the arm. This puts the metal where it belongs, increasing lift capacity, arm strength and resistance to twisting. This concept allows you to lift higher capacity payloads, instead of hauling around a bulky heavy loader.

Westendorf wants you to SEE the difference

The superior fit of the Westendorf low-profile design keeps the loader out of your field of vision so you can see where you are going. The tailored uni-fit bracket system positions the loader in the best possible location, keeping the bucket closer to the front axle for additional stability and lower on the frame so you can “see” clearly while working.

#1 Reason—Power-Mount™

Hands down, it is the key reason why Westendorf owners love their loader. The true Power-Mount™ capability of a Westendorf loader lets the tractor do all the work. No pins to realign, no tools required, and no hassles. Go from feeding cattle to doing field work in just minutes. You won't even need a slab of concrete; just park it on any level grassy or gravel surface.



Hydra-Snap™ – The ideal power-mount companion

Connect the loader to the tractor in seconds with the Hydra-Snap™ one-lever hose coupling manifold. Just align the keyed plate and rotate the handle. It prevents hose mix ups and is a much “cleaner” alternative to connecting individual hoses. Also available with flat face couplers.

Snap-Attach™ – #2 Reason Why

The original system introduced to the market over 30 years ago. It's design consistency has withstood the test of time. It's the #2 reason (2nd only to Power-Mount) why customers love their Westendorf loader... change to a spear without any tools or extra trips off the tractor. Latches automatically when bucket cylinders are rolled back.

Handy

When you pair the right tools for the job with a top performing Westendorf loader, your operation will run smoother and more efficiently.



Uni-fit mounting system

Fine tune the loader's fit to a specific tractor with this bracket system. A loader that fits well is like your favorite pair of work gloves... they feel “good” and are comfortable during operation.

Quality Cylinders

Westendorf cylinders are manufactured to internal quality levels based on over 75 years experience. They're compact, lightweight and reliable. Metal piston rings with permaseal joints outperform plastic components in heavy-duty work environments year after year. Piston rods are chrome-plated above industry standards for more protection from rust, stroke wear and surface flaws. The cylinders are tested several times under both high and low pressure before delivery.



“...it was the biggest mistake I ever made!”

“Attention all farmers and ranchers, if you want a fantastic loader that slides on and off quickly, Westendorf is the loader for you. I used a WL-42 for years, parted with it, and got me a John Deere 740...biggest mistake I ever made!” The 740 didn't slide off like the Westendorf models. I will be selling my tractor with the 740 on it and getting a Westendorf to replace it. The 740 is a joke the way it comes on and off; I can't wait to have a Westendorf on the farm again! Just another satisfied Westendorf customer. Keep up the great job!”

Phil Beck - Nebraska

How do I know if I need a self-leveling loader?

The key factor in determining whether to add a mechanical or hydraulic self-leveling kit has to do with what tasks you want to perform with your loader. If you handle hay or load pallets frequently, then yes - you'll appreciate a forklift that stays level as you raise the loader. Westendorf loader models offer either mechanical or hydraulic self-leveling options.

Custom options

Build a loader package to meet your material handling needs. Add items such as:

- Bigger buckets
- Chain hooks
- Back drag blade w/teeth
- Comfort Ride
- Custom tractor matching paint



Stack Saver Auto Push-Off hay attachment...p. 117



“ Placing bales with the Stack Saver II on the flatbed that fit together tightly and straight made the hauler smile with approval.”

Wes Evans

Evans Quarter Horses - Chattaroy, WA



TA-45

2WD up to 160 HP »
4WD up to 130 HP »
7475# at 13'4"

**The TA-45 is
a TA-28 on steroids**

The TA-45 loader is an upscale TA-28. Introduced to fit the 20 series tractors with a 40 series attachment spacing. It's great for the user who has a WL-42 and upgrades to a 4WD tractor. He still needs the 40 series spacing to use his existing attachments. It's a good feedlot loader with a big lift capacity. Other features include power-linkage, smooth low-profile design and 3" bucket cylinders. It's a great candidate for narrower hooded tractors.

TA-45 Base package:

- 3" Bucket Cylinders
- 3" Lift Cylinders
- Hydraulic Power-Mount™
- Snap-Attach™
- Mounting & Hose Kit
- MA-40 Hydraulic Manifold
- Bucket Gauge Rod
- 84" Large Capacity Bucket

Options:

- 90" & 96" Large Capacity Buckets
- 3rd Steel Line
- Rotational Height Indicator
- Bucket Teeth
- Back Drag Blade
- Level UP Advantage
- Comfort Ride
- Precision Valve w/Regen Spool & Joystick
- Complete line of Attachments. (pp.56-57)

“ Westendorf has renewed my optimism that today you can still get a quality product at a fair price.”

I am writing to you about my Westendorf TA-45 loader and attachments. In my nearly fifty years of experience running equipment, both construction and ranch/farm, my TA-45 is undoubtedly the best loader that I have used in its class.

When I was a young boy, my Dad explained something to me that has left a life-long impression on me. He told me, **“If you want good quality oats, you need to pay a fair price; if, however, you can be satisfied with oats that have been though the horse once, they come a little cheaper”**. Like many others, I have fallen prey to charlatan companies that claim superior quality and workmanship. For someone like me, who appreciates a well-made piece of equipment that performs as it is intended, Westendorf has renewed my optimism that today you can still get a quality product at a fair price.

Checking and servicing the tractor air filters is a breeze with the Power-Mount system. No tools, no hassle; in a few short minutes I am able to simply back out the loader, giving me clearance to get the job done. With the Snap-Attach, changing from the bucket to the hay attachment could not be made easier.

As you can see, winters drop heavy snowfall in northeast Washington; moving and piling one hundred plus inches of snow in a season is no problem with the TA-45. I have been able to keep the barnyard and access roads clear during snowfalls that crippled the local county roads' department.

Thank you Westendorf for making a high quality product that is fairly priced.

Wes Evans - Evans Quarter Horses - Washington

“ Everyone says its the Cadillac - but it's the Mercedes!” “It's a good heavy loader with good visibility. Other loaders sit a foot and a half above the hood and that makes it hard to see. I love the quick On and Off feature because I don't have to lay down in the mud to take the loader off.”

H. B. Burch - Kentucky

TA-46

The TA-26's big brother

The TA-46 is ideal for the heavy-duty cattle producer. It has longer arms to get over the front tires to allow excellent digging depths. It is an excellent loader for the cattle guys who have bigger tractors with bigger tires. It maintains a low-profile position even with the add-on mechanical self-leveling upgrade.

TA-46 Base package:

- 3" Bucket Cylinders
- 3" Lift Cylinders
- Hydraulic Power-Mount™
- Snap-Attach™
- Mounting & Hose Kit
- MA-40 Manifold
- Bucket Gauge Rod
- 84" Lg.. Capacity Bucket

Options:

- 90" & 96" Large Capacity Buckets
- 3rd Steel Line
- Add-On Mechanical Self-Leveling Kit
- Rotational Indicators
- Bucket Teeth
- Back Drag Blade
- Comfort Ride
- Level UP Advantage
- Precision Valve w/ Regen Spool & Joystick
- Attachments. (pp. 56-57)

2WD up to 190 HP »
4WD up to 165 HP »
7560# at 13'10"

TA-48

The ultimate self-leveling loader

Whether you're hauling loose materials like silage or bulky materials like seed pallets, we have a self-leveling loader that is versatile enough to accommodate the different materials you haul throughout the year. The TA-48 has two different settings on the mechanical self-leveling linkage which allows you to have "true" self-leveling or "no-spill" self-leveling. It's the only loader in the industry to offer this versatility.

TA-48 Base package:

- 3" Bucket Cylinders
- 3" Lift Cylinders
- Hydraulic Power-Mount™
- Snap-Attach™
- Mechanical Self-Leveling
- Mounting & Hose Kit
- MA-40 Hydraulic Manifold
- Bucket Gauge Rod
- 84" Large Capacity Bucket

Options:

- 90" & 96" Large Capacity Buckets
- 3rd Steel Line
- Rotational Indicators
- Bucket Teeth
- Back Drag Blade
- Comfort Ride
- Precision Valve w/ Regen Spool & Joystick
- Attachments (pp. 56-57)

2WD up to 210 HP »
4WD up to 185 HP »
8430# at 14'6"



Low-Profile Self-Leveling Kit

Mechanical self-leveling can be added to a TA-26, TA-26 Plus or TA-46 loader package. The low-profile patented design hugs the loader's arm keeping the linkage out of your field of vision. This add-on kit increases lift capacity of the loader by 20%.

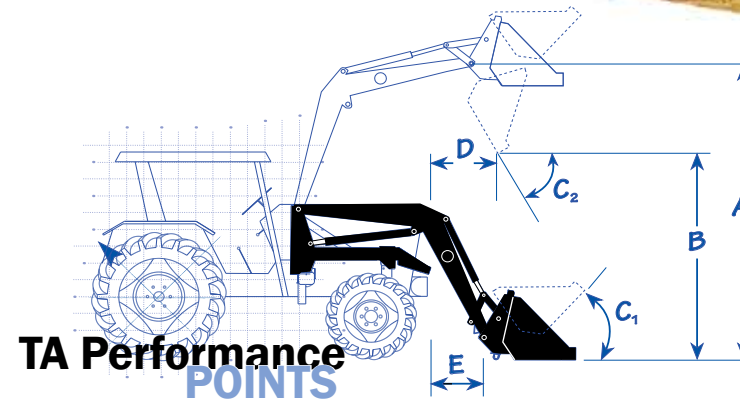
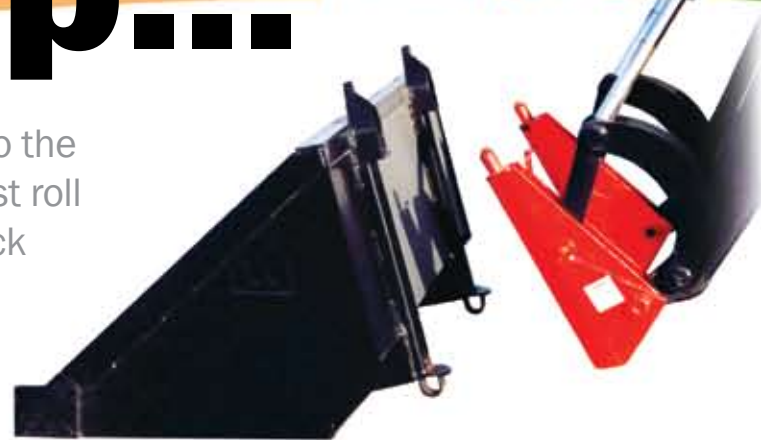
No Spill - Great for handling loose materials. Bucket acts as regular loader by rolling back the bucket during the first 3' of travel, keeping material from spilling over the front edge of the bucket.

True - Switch to the lower hole in the linkage to convert it to a true self-leveling loader. Great for handling pallets with your forklift attachment.



It's A Snap...

See and hear the adapter lock itself to the Snap-Attach™ coupler. It's simple, just roll back the bucket cylinders to Snap-Lock the attachment into place. See page 9 for details.



- A)** Lift Height
- B)** Clearance
- C₁)** Rollback **C₂)** Dump Angle
- D)** Reach at Max Height
- E)** Reach at Ground Level

TA Series Attachments

	DB-84	DB-96	DB-120	SBB-8	SBB-10	SBB-12	VP-72	VP-96	EB-34	FL-42	FL-48	BC-4000	BC-5000	BC-6000	BC-7000	BC-7700	BC-8000	BC-8800	
TA-25							●		●	●		●							(1)
TA-26/26+/26¹²	●			●				●	●	●			●	●					●
TA-28	●			●				●	●	●		●	●	●					●
TA-28+/29	●	●		●	●			●	●	●		●	●	●					●
TA-45/46/48	●	●		●	●			●	●	●		●	●	●					●
TA-76/77	●	●	●		●	●		●	●	●		●	●	●					●

	Z-47	GF-20	GF-28	GF-52	GF-51	GF-64	GF-84	GF-96	GF-184-3D	GF-32	TB-38	FB-42
TA-25											●	
TA-26/26+/26¹²		●									●	●
TA-28	●		●			●				●		●
TA-28+/29	●		●			●	(2)	(2)	(3)	●		●
TA-45/46/48	●			●	●	●	●	(2)	(3)	●		●
TA-76/77	●			●	●	●	●	(3)		●		●

(1) Requires skid-steer adapter (2) Requires 84" or 96" Large Capacity Bucket (3) Requires HDHC Bucket

	TA-25	TA-26/26+	TA-26 ¹²	TA-28	TA-28 +	TA-29	TA-45	TA-46	TA-48	TA-76	TA-77
Tractor HP Rating (approximate)	30-70 HP	30-90 HP	30-90 HP	up to 120	up to 135	up to 135	up to 130	up to 165	up to 185	up to 225	up to 225
A Full Height (ground to pin - feet/inches)	9' 4" / 112"	10' 5" / 125"	12' / 144"	13' 4" / 160"	13' 4" / 160"	13' 2" / 158"	13' 4" / 160"	13' 10" / 166"	14' 6" / 174"	15' 2" / 180"	17' 4" / 208"
B Clearance (bucket dump - inches)	97"	100"	119"	133"	133"	152"	127"	131"	136"	127"	170"
C₁ Rollback C₂ Dump Angle	20° 42°	27° 45°	27° 45°	24° 28°	33° 35°	35° 45°	34° 35°	29° 58°	34° 45°	34° 35°	29° 58°
D Reach at Max Height	28"	31"	36"	20"	20"	23"	21"	15"	28"	21"	15"
E Reach at Ground Level (to pin)	18"	19.5"	26"	23"	23"	23.5"	21"	22"	25"	24"	50"
	2500 psi 3000 psi	2500 psi 3000 psi	2500 psi 3000 psi	2500 psi 3000 psi	2500 psi 3000 psi	2500 psi 3000 psi	2500 psi 3000 psi	2500 psi 3000 psi	2500 psi 3000 psi	2500 psi 3000 psi	2500 psi 3000 psi
Lift Capacity - AWC* (31.5" from pin)	3000 3600	3000 3600	3200 3480	4255 5106	4255 5100	5000 6000	4255 5100	4300 5100	4800 5760	4255 5100	5200 6240
Lift Capacity - at Pivot Pin	4395 5275	4395 5275	4680 5615	6230 7475	6230 7476	7325 8790	6230 7475	6300 7560	7030 8430	6230 7475	7620 9140
Lift Cylinder - Std Opt.	2-1/2" 3"	3"	3"	3"	3"	3"	3"	3"	3"	3" 3-1/2"	3-1/2"
Bucket Cylinder - Std Opt.	2-1/2"	2-1/2"	2-1/2"	2-1/2"	3"	3"	3"	3"	3"	3"	3"
Bucket Sizes Available	60", 66", 72"	72", 84", SS	72", 84", SS	84", 84"LC, 90"	84", 84"LC, SS, 90", 96", HDHC	84", 84"LC, 90", 96", HDHC	84" LC, 90", 96", HDHC	84" LC, 90", 96", HDHC	84" LC, 90", 96", HDHC	96", 108", HDHC	96", 108", HDHC

LC- LARGE CAPACITY SS- SKID-STEER HDHC- HEAVY DUTY HIGH CAP.

*For additional information on AWC Capacity - see page 11. Note: Above specifications are based on ASABE S301.3 standard. Specifications may vary depending on make and model of tractor, front axle configuration, tire size, hydraulic system and type of attachment. Design specifications are subject to change without notice or obligation.