



TA Series

Our expansive Traction Action (TA) product line includes a wide variety from Mid-Sized loaders to Super-Sized loaders designed to fit 2WD and 4WD tractors ranging from 10 HP to 240 HP. Nobody knows loaders like Westendorf. No matter what the need or which tractor you are trying to fit, Westendorf can fit you into a loader that's a cut above the rest. Just look at some of the key features that create the Westendorf advantage. Hydraulic Power-Mount™. Patented Snap-Attach™ Quick Change System. Custom adjust brackets. I-Beam construction. Level-Matic™. Low-Profile design for 4WD tractors. Hydra-Snap™ one-step coupling. Comfort Ride.



Steve Craig with Taco - Ashland, MO



"I am extremely happy with my Westendorf TA-26 loader. I have always bought other brands in the past, but they don't hold a candle to a Westendorf loader. I like it 100%!"

Powerful Traction Action Loaders

– raise the standards of performance

The mid-sized to super-sized loader series is designed for 2WD and 4WD tractors from 30 HP to 240 HP. Get that extra oomph you need at heights up to 17'4" and be able to stack what you want—where you want it—while maintaining the professional feel of a loader that fits properly.

Extras that “fit” your needs

How do you compare the true, overall performance and user conveniences of a loader. At Westendorf, we pay close attention to the small details and offer many custom features that make your overall loader experience user-friendly and hassle-free. Our customers' favorite features are standard in our loader packages and include items such as: Snap-Attach™, Power-Mount™, bigger quality built buckets and gauge rod. Add application specific extras

such as: a Back Drag Blade for added cylinder protection when doing dirt work, Hydra-Snap™ for quick loader to tractor connection when you share a loader between multiple tractors, or get self-locking chain hooks welded to the bucket at the factory. You can also upgrade the performance of your loader with larger cylinders, valve and joystick or rotational indicators that will monitor both the bucket position and loader position from the ground to the loader's full height. Ideal for frequent hay handlers.

FEEL and SEE the difference

Don't forget to ASK one of the most vital questions when you shop for a loader. How will the loader “look” on my tractor? Is it the right size? Don't settle for a loader that doesn't fit. A well fitting loader will feel like part of the tractor, not an extension of it. The loader shown below will have huge visibility issues. Its position on the tractor is too high, creating a tunnel. With nearly 40 loaders to choose from, we can select the right “size” loader for your tractor so you don't have to make sacrifices to get the power you need.



We put it where it counts!

It's not how much steel you can use to make the arm strong, but where you position the steel to maximize the arm strength to prevent unnecessary stress on the tractor.



Westendorf's “exclusive” arm design resists extra side forces that the four-wheel drive tractor introduces. The double tapered arm is designed with a unique internal I-beam inserted into the arm to create a double wall on the top and bottom of the arm. This puts the metal where it belongs, increasing lift capacity, arm strength and resistance to twisting. This concept allows you to lift higher capacity payloads, instead of hauling around a bulky heavy loader.

Westendorf wants you to SEE the difference

The superior fit of the Westendorf low-profile design keeps the loader out of your field of vision so you can see where you are going. The tailored uni-fit bracket system positions the loader in the best possible location, keeping the bucket closer to the front axle for additional stability and lower on the frame so you can “see” clearly while working.

#1 Reason—Power-Mount™

Hands down, it is the key reason why Westendorf owners love their loader. The true Power-Mount™ capability of a Westendorf loader lets the tractor do all the work. No pins to realign, no tools required, and no hassles. Go from feeding cattle to doing field work in just minutes. You won't even need a slab of concrete; just park it on any level grassy or gravel surface.



Hydra-Snap™ – The ideal power-mount companion

Connect the loader to the tractor in seconds with the Hydra-Snap™ one-lever hose coupling manifold. Just align the keyed plate and rotate the handle. It prevents hose mix ups and is a much “cleaner” alternative to connecting individual hoses. Also available with flat face couplers.

Snap-Attach™ – #2 Reason Why

The original system introduced to the market over 30 years ago. It's design consistency has withstood the test of time. It's the #2 reason (2nd only to Power-Mount) why customers love their Westendorf loader... change to a spear without any tools or extra trips off the tractor. Latches automatically when bucket cylinders are rolled back.

Handy

When you pair the right tools for the job with a top performing Westendorf loader, your operation will run smoother and more efficiently.



Uni-fit mounting system

Fine tune the loader's fit to a specific tractor with this bracket system. A loader that fits well is like your favorite pair of work gloves... they feel “good” and are comfortable during operation.

Quality Cylinders

Westendorf cylinders are manufactured to internal quality levels based on over 75 years experience. They're compact, lightweight and reliable. Metal piston rings with permaseal joints outperform plastic components in heavy-duty work environments year after year. Piston rods are chrome-plated above industry standards for more protection from rust, stroke wear and surface flaws. The cylinders are tested several times under both high and low pressure before delivery.



“...it was the biggest mistake I ever made!”

“Attention all farmers and ranchers, if you want a fantastic loader that slides on and off quickly, Westendorf is the loader for you. I used a WL-42 for years, parted with it, and got me a John Deere 740...biggest mistake I ever made!” The 740 didn't slide off like the Westendorf models. I will be selling my tractor with the 740 on it and getting a Westendorf to replace it. The 740 is a joke the way it comes on and off; I can't wait to have a Westendorf on the farm again! Just another satisfied Westendorf customer. Keep up the great job!”

Phil Beck - Nebraska

How do I know if I need a self-leveling loader?

The key factor in determining whether to add a mechanical or hydraulic self-leveling kit has to do with what tasks you want to perform with your loader. If you handle hay or load pallets frequently, then yes - you'll appreciate a forklift that stays level as you raise the loader. Westendorf loader models offer either mechanical or hydraulic self-leveling options.

Custom options

Build a loader package to meet your material handling needs. Add items such as:

- Bigger buckets
- Chain hooks
- Back drag blade w/teeth
- Comfort Ride
- Custom tractor matching paint



Stack Saver Auto Push-Off hay attachment...p. 117



TA-25

2WD 30-90 HP »
4WD 30-70 HP »
5275# at 9'4"

Quality priced right

The TA-25 loader has over 700 fits. It is a great example of Westendorf quality at the right price. The TA-25 is a well-built, low-profile loader for nurseries and small cattle feeders, built for the every day user. It has the same great Power-Mount™ feature of the larger loaders and also includes an economical quick-change bucket system that automatically locks into the next attachment.

TA-25 Base package:

- 2" Bucket Cylinders
- 2-1/2" Lift Cylinders
- Hydraulic Power-Mount™
- Quick-Attach
- Mounting & Hose Kit
- MA-40 Hydraulic Manifold
- Bucket Gauge Rod
- 60" Bucket

Options:

- 72" Bucket
- 66" or 72" Skid-Steer Bucket & Adapter
- 3rd Steel Line
- Rotational Indicators
- Hydra-Snap™ Manifold
- Level UP Advantage
- Comfort Ride
- Precision Valve w/ Regen Spool
- Precision Joystick
- Attachments. (pp. 56-57)



I have never had a loader that I have used so much and that has served my every need, like my Westendorf TA-25... I'm a rancher out here in Colorado and have had many loaders... You do make a far superior product and I boast to all my ranch friends that they should be so lucky. I hope I can help spread the word to get more Westendorf products on more farms and ranches out here.

Kenneth Cure - Colorado

TA-26

2WD 30-120 HP »
4WD 30-90 HP »
5275# at 10'5"

#1 Customer Preferred loader with over 1300 fits

With over 1300 fits, this is our most popular 4WD loader. The power linkage, slide locks, shoe adjustments, case hardened pins, and add-on self-leveling kit have proven that the TA-26 is the best all-around loader for versatility and dependability. Its unique I-beam construction and double tapered arm gives it superior strength and a low-profile fit, all in one package.

TA-26

Base package:

- 2-1/2" Bucket Cylinders
- 3" Lift Cylinders
- Hydraulic Power-Mount™
- Snap-Attach™
- Mounting & Hose Kit
- MA-40 Hydraulic Manifold
- Bucket Gauge Rod
- 72" Bucket

Options:

- 84" Bucket
- 3rd Steel Line
- Rotational Indicators
- Hydra-Snap™ Manifold
- Bucket Teeth
- 72" or 84" Skid-Steer Bucket & Adapter
- Mechanical Low-Profile Self-Leveling Kit
- Precision Valve w/ Regen Spool & Joystick
- Back Drag Blade
- Level UP Advantage
- Comfort Ride
- Attachments. (pp. 56-57)

Add-On Self-Leveling Kit Shown

Rugged

The perfect size loader with internal I-beam inside the arms for tractors up to 120HP.



C



D



E

A - The TA-25 features a quick-attach adapter that is economical; yet, it will automatically lock your next attachment to the loader without multiple trips off the tractor.

B - The TA-25 has a newly updated arched knee area for a more modern look to match today's sleeker and lower profile tractor hoods.

C - The TA-26 is unique in the fact that it can be converted into a mechanical low-profile self-leveling loader. The add-on kit is available at the time of purchase, or at a later date. The loader modification does not require different cylinders or components to make the conversion.

D - The TA-26 loader features the Snap-Attach™ system for fast, tool-free implement changes. Just roll back your bucket, and it automatically snap-locks the attachment to the loader.

E - The TA-26 has Power-Linkage that allows excellent dump and rollback angles.



“ We bought a loader of yours in 1972 and later a grapple fork in 1976. All is still working well. Only one little repair once. We feed cattle and it is used hard for everything. My cost of the loader at the time was \$1111.11. I am 82 years old and still using your loader after 34 years. Keep up the good work.
Carl King - Iowa

TA-26^{plus} 2WD 30-120 HP >>
 4WD 30-90 HP >>
 5275# at 10'5"

The NEXT generation – fully loaded

This loader has all the same great features as the TA-26 loader. The Plus package includes an updated, modern shape and styling over the entire loader. It features the Snap-Attach™, Hydra-Snap™ one lever multi-unit coupling system, rotational full-range bucket indicator and grease-from-the-end pins for easy maintenance.

- TA-26 Plus Base Package:**
- 2-1/2" Bucket Cylinders
 - 3" Lift Cylinders
 - Hydraulic Power-Mount™
 - Snap-Attach™
 - Mounting & Hose Kit
 - Hydra-Snap™ Manifold
 - Rotational Level Indicator
 - 72" Bucket
- Package Options:**
- 84" Bucket
 - 72" or 84" Skid-Steer Bucket & Adapter
 - 3rd Steel Line
 - Rotational Height Indicator
 - Bucket Teeth
 - Back Drag Blade
 - Level UP Advantage
 - Comfort Ride
 - Precision Valve w/Regen Spool & Joystick
 - Attachments. (pp. 56-57)

TA-26¹² 2WD 30-120 HP >>
 4WD 30-90 HP >>
 5615# at 12'

More lift height

Get added lift height to 12' and both rotational indicators to monitor bucket position and loader arm position from the ground to loader's full lift height. Ideal for those that need the extra height for handling hay.

- TA-26¹² Base Package:**
- 2-1/2" Bucket Cylinders
 - 3" Lift Cylinders
 - Hydraulic Power-Mount™
 - Snap-Attach™
 - Mounting & Hose Kit
 - Hydra-Snap™ Manifold
 - Rotational Level & Height Indicators
 - 72" Bucket
- Package Options:**
- 84" Bucket
 - 72" or 84" Skid-Steer Bucket & Adapter
 - Precision Valve w/Regen Spool & Joystick
 - 3rd Steel Line
 - Bucket Teeth
 - Back Drag Blade
 - Level UP Advantage
 - Comfort Ride
 - Attachments. (pp. 56-57)



A

A - Save time and temper with the Hydra-Snap™, one-step coupling hydraulic manifold. Connects all four (or six) hoses in one smooth motion. Several models available. Optional flat face couplers available.



B

B - Monitor the bucket's position at a glance from fully rolled back to completely dumped. The TA-26¹² also includes the rotational height indicator which monitors the location of the loader's arms relative to the ground. Ideal for hay handlers who want to speed up the repetitive task of stacking hay.



C

C - Add mechanical self-leveling to the TA-26 or TA-26 Plus loader packages. It can be installed at the factory or upgraded at a later date without having to purchase additional cylinders. Get all the benefits of a self-leveling loader PLUS 20% more lift capacity with this optional kit.





“ I bought a JD 7320 tractor and a Westendorf TA-28 loader. I wouldn't trade my Westendorf for two of those green ones. A friend of mine has the same tractor with a JD loader on it; he has broken the quick couplers twice, and almost tipped over because of how far the loader sits out in front of the tractor. I also have a WL-21 and my brother has a WL-42 and a TA-28 . We both love them!!”

Bobby Plenge - Missouri

TA-28^{plus}

2WD up to 165 HP »
4WD up to 135 HP »
7475# at 13'4"

Streamlined fit for powerful 4WD tractors

The TA-28 Plus provides more features with a strong, clean profile and fit. Developed for the demanding everyday heavy user, the reinforced arms ensure strength to match the larger HP tractors. Case hardened, high-wear 1-1/4" pins have grease relief bushings for superior wear and zerks on the ends for easy maintenance. Low-profile fit ensures clear sightlines for safer operation.

TA-28 Plus

Base package:

- 3" Bucket Cylinders
- 3" Lift Cylinders
- Hydraulic Power-Mount™
- Snap-Attach™
- Mounting & Hose Kit
- MA-40 Hydraulic Manifold
- Bucket Gauge Rod
- 84" Bucket

Options:

- 84" & 90" Large Capacity Buckets
- 84" or 90" Skid-Steer Bucket & Adapter
- Precision Valve w/ Regen Spool & Joystick
- 3rd Steel Line
- Rotational Height Indicator
- Bucket Teeth
- Back Drag Blade
- Level UP Advantage
- Comfort Ride
- Attachments (pp. 56-57)

TA-28

2WD up to 160 HP »
4WD up to 120 HP »
7475# at 13'4"

The premiere hay loader

The TA-28 is the proven loader built for front-wheel assist tractors. This mid-sized loader has a great profile and is an excellent hay loader with a lift height of 13'4" at a competitive price. It comes standard with a big 84" bucket that people really like. It is an ideal loader for the person coming from a WL-42 loader on a 2 wheel drive tractor upgrading to a 4 wheel drive tractor.

TA-28 Base package:

- 2-1/2" Bucket Cylinders
- 3" Lift Cylinders
- Hydraulic Power-Mount™
- Snap-Attach™
- Mounting & Hose Kit
- MA-40 Hydraulic Manifold
- Bucket Gauge Rod
- 84" Bucket

Options:

- 3" Bucket Cylinder Upgrade
- 84" & 90" Large Capacity Buckets
- 3rd Steel Line
- Rotational Height Indicator
- Bucket Teeth
- Back Drag Blade
- Level UP Advantage
- Comfort Ride
- Precision Valve w/ Regen Spool & Joystick
- Attachments. (pp. 56-57)

Cat Claw

84Q425 Bucket »
96Q429 Bucket »

The three dimensional grab fork

The Cat Claw is a new generation grab fork designed with compound capabilities, multiple movements and triple actions. It crushes, pulls, fills and handles unforgiving and hard to handle loads with ease... more on pp. 110-111.



Cat Claw  **TRIPLE ACTION**



I bought those brush
grabber things and love 'em!

Roy Huntington - Missouri

TA-29

2WD up to 165 HP >>
4WD up to 135 HP >>
8790# at 13'2"

The best of both worlds

You can do almost anything you want with this loader. Whatever you can break out at the bottom, you can lift all the way to the top. The heavy-duty 3" lift cylinders allow the loader to lift a **5000 pound payload** from the ground to over 13 feet in one fluid motion. This amazing loader has the true mechanical self-leveling BOTH up and down, yet an amazingly low-profile fit for increased visibility.

TA-29 Base package:

- 3" Bucket Cylinders
- 3" Lift Cylinders
- Hydraulic Power-Mount™
- Snap-Attach™
- Mechanical Self-Leveling
- Mounting & Hose Kit
- MA-40 Hydraulic Manifold
- Bucket Gauge Rod
- 84" Bucket

Options:

- 84" & 90" Large Capacity Buckets
 - 3rd Steel Line
 - Rotational Height Indicator
- Bucket Teeth, Back Drag Blade
 - Comfort Ride
- Precision Valve w/Regen Spool & Joystick
- Complete line of Attachments. (pp. 56-57)



What really convinced me of its strength is the following story:

I had a fire break out in the barn, over 2,000 gallons of gasoline started on fire. I had my tractor and loader parked in the barn. The fire melted the tires right off the tractor, melted the tractor's hood and busted up the cab. The loader was scorched, the decals and hoses had melted off, but I wasn't sure about the loader's condition so I called my local Westendorf dealer to come out and take a look. He told me that my TA-26 loader had an internal I-beam or double wall construction and the loader wasn't damaged. I couldn't

WHAT A BLACKSMITH THINKS OF A WESTENDORF



"I owned a weld shop, and I was continuously fixing and repairing loaders. When I bought myself a loader, I was determined it was going to be a Westendorf loader. Nobody else had one like it. Whenever they saw my loader, they would say "That's the stoutest loader I've ever seen!" It was built stronger, and I never had any trouble with it.

Bill Gossett - Illinois

believe it didn't split the loader's frame. Nothing warped, no welds were broken, the bucket was still in excellent condition.

I couldn't believe the loader wasn't hurt. I took it up the road to a body shop, had it sand blasted, repainted, and reinstalled the hoses. That was a good loader. I had a dozer blade,

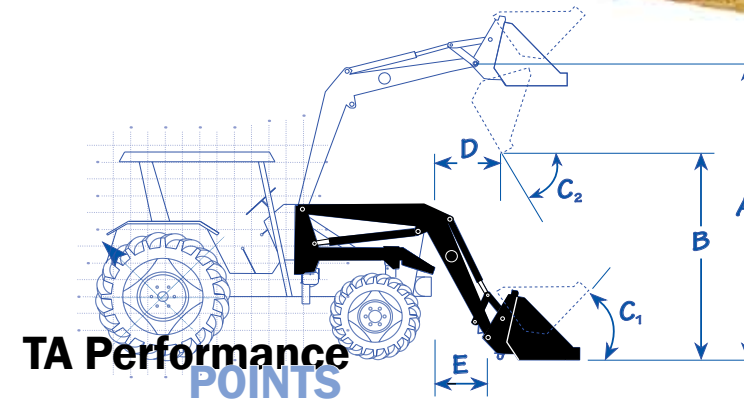
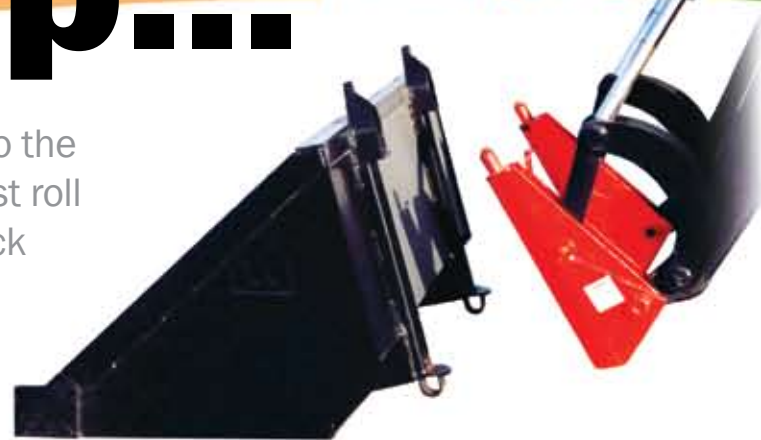
bucket and set of pallet forks. Even after 10 years; I never had to sharpen the bucket's blade. I leveled dirt, pushed out sprouts; the blade stayed sharp. I really like the easy hook-up system. I could sit in the tractor seat and see what I was working with. The low-profile fit allowed

me to see to align the quick-attach units. All I had to do was back up, hook on the other attachment and I was back to work.

My Westendorf loader is a really fine outfit - that's for sure. If I were to go back into farming again, I definitely wouldn't buy anything but a Westendorf."

It's A Snap...

See and hear the adapter lock itself to the Snap-Attach™ coupler. It's simple, just roll back the bucket cylinders to Snap-Lock the attachment into place. See page 9 for details.



- A)** Lift Height
- B)** Clearance
- C₁)** Rollback **C₂)** Dump Angle
- D)** Reach at Max Height
- E)** Reach at Ground Level

TA Series Attachments

	DB-84	DB-96	DB-120	SBB-8	SBB-10	SBB-12	VP-72	VP-96	EB-34	FL-42	FL-48	BC-4000	BC-5000	BC-6000	BC-7000	BC-7700	BC-8000	BC-8800	
TA-25							●		●	●		●							(1)
TA-26/26+/26¹²	●			●				●	●	●			●	●					●
TA-28	●			●				●	●	●		●	●	●					●
TA-28+/29	●	●		●	●			●	●	●		●	●	●					●
TA-45/46/48	●	●		●	●			●	●	●		●	●	●					●
TA-76/77	●	●	●		●	●		●	●	●		●	●	●					●

	Z-47	GF-20	GF-28	GF-52	GF-51	GF-64	GF-84	GF-96	GF-184-3D	GF-32	TB-38	FB-42
TA-25											●	
TA-26/26+/26¹²		●									●	●
TA-28	●		●			●		(2)		●		●
TA-28+/29	●		●			●	(2)	(2)	(3)	●		●
TA-45/46/48	●			●	●	●	●	(2)	(3)	●		●
TA-76/77	●			●	●	●	●	(3)		●		●

(1) Requires skid-steer adapter (2) Requires 84" or 96" Large Capacity Bucket (3) Requires HDHC Bucket

	TA-25	TA-26/26+	TA-26 ¹²	TA-28	TA-28 +	TA-29	TA-45	TA-46	TA-48	TA-76	TA-77
Tractor HP Rating (approximate)	30-70 HP	30-90 HP	30-90 HP	up to 120	up to 135	up to 135	up to 130	up to 165	up to 185	up to 225	up to 225
A Full Height (ground to pin - feet/inches)	9' 4" / 112"	10' 5" / 125"	12' / 144"	13' 4" / 160"	13' 4" / 160"	13' 2" / 158"	13' 4" / 160"	13' 10" / 166"	14' 6" / 174"	15' 2" / 180"	17' 4" / 208"
B Clearance (bucket dump - inches)	97"	100"	119"	133"	133"	152"	127"	131"	136"	127"	170"
C₁ Rollback C₂ Dump Angle	20° 42°	27° 45°	27° 45°	24° 28°	33° 35°	35° 45°	34° 35°	29° 58°	34° 45°	34° 35°	29° 58°
D Reach at Max Height	28"	31"	36"	20"	20"	23"	21"	15"	28"	21"	15"
E Reach at Ground Level (to pin)	18"	19.5"	26"	23"	23"	23.5"	21"	22"	25"	24"	50"
	2500 psi 3000 psi	2500 psi 3000 psi	2500 psi 3000 psi	2500 psi 3000 psi	2500 psi 3000 psi	2500 psi 3000 psi	2500 psi 3000 psi	2500 psi 3000 psi	2500 psi 3000 psi	2500 psi 3000 psi	2500 psi 3000 psi
Lift Capacity - AWC* (31.5" from pin)	3000 3600	3000 3600	3200 3480	4255 5106	4255 5100	5000 6000	4255 5100	4300 5100	4800 5760	4255 5100	5200 6240
Lift Capacity - at Pivot Pin	4395 5275	4395 5275	4680 5615	6230 7475	6230 7476	7325 8790	6230 7475	6300 7560	7030 8430	6230 7475	7620 9140
Lift Cylinder - Std Opt.	2-1/2" 3"	3"	3"	3"	3"	3"	3"	3"	3"	3" 3-1/2"	3-1/2"
Bucket Cylinder - Std Opt.	2-1/2" 3"	2-1/2"	2-1/2"	2-1/2"	3"	3"	3"	3"	3"	3"	3"
Bucket Sizes Available	60", 66", 72"	72", 84", SS	72", 84", SS	84", 84"LC, 90"	84", 84"LC, SS, 90", 96", HDHC	84", 84"LC, 90", 96", HDHC	84" LC, 90", 96", HDHC	84" LC, 90", 96", HDHC	84" LC, 90", 96", HDHC	96", 108", HDHC	96", 108", HDHC

LC- LARGE CAPACITY SS- SKID-STEER HDHC- HEAVY DUTY HIGH CAP.

*For additional information on AWC Capacity - see page 11. Note: Above specifications are based on ASABE S301.3 standard. Specifications may vary depending on make and model of tractor, front axle configuration, tire size, hydraulic system and type of attachment. Design specifications are subject to change without notice or obligation.

	SQ-80	SP-22	SP-43	SP-76	SP-42	SP-72	SP-74	SS-I	SS-II	BH-15	QT-72	BT-84
TA-25												
TA-26/26+/26¹²		●	●	●	●	●	●				●	
TA-28	●	●	●	●	●	●	●	●	●	●		●
TA-28+/29	●	●	●	●	●	●	●	●	●	●		●
TA-45/46/48	●		●	●	●	●	●	●	●	●		●
TA-76/77	●			●	●	●	●	●	●	●		●