

SEE NEXT PAGE FOR TA-54  
TOWER COMPONENTS

## TA-54 / TA-55 LOADER REPLACEMENT PARTS

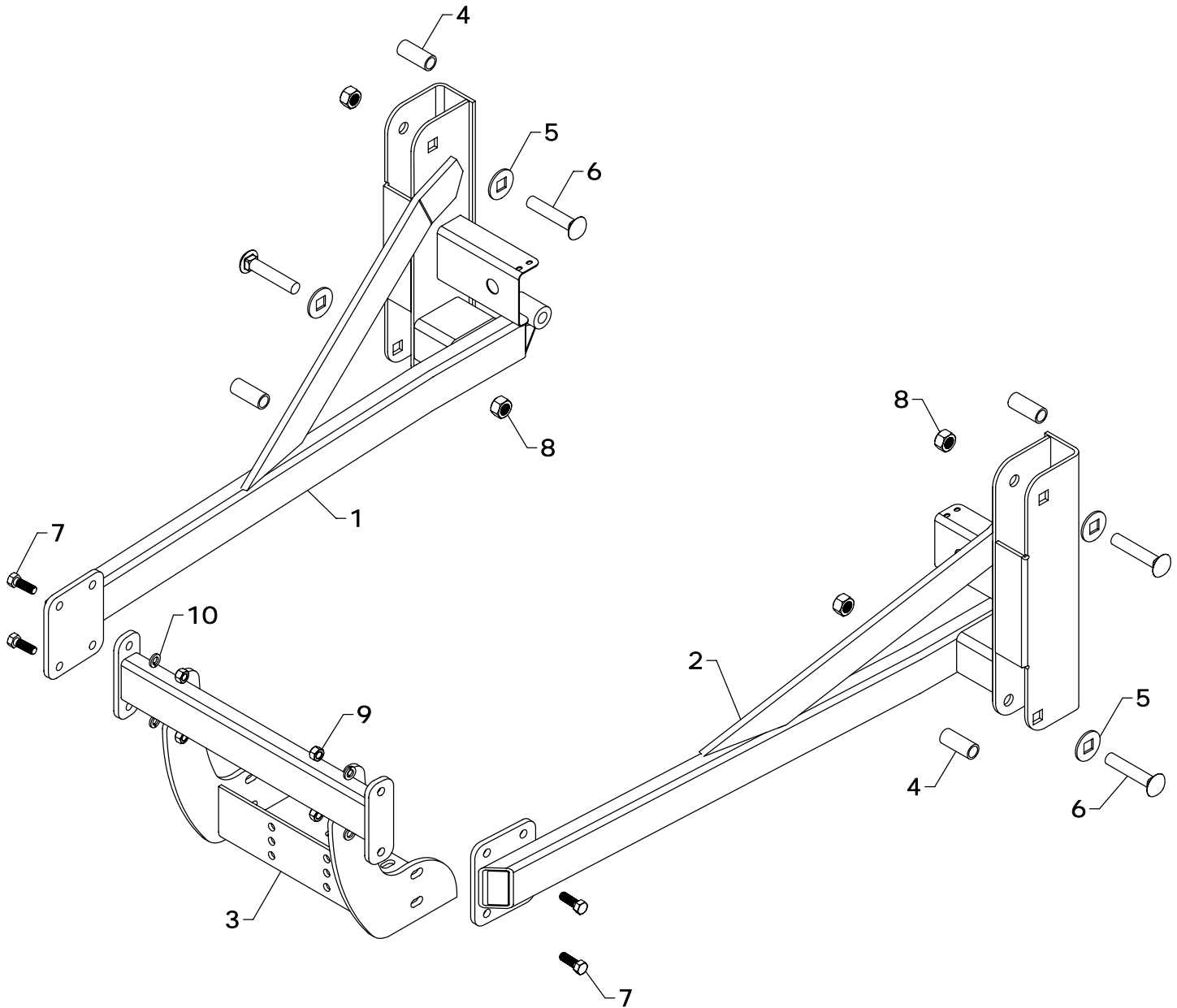
REF #	PART #	DESCRIPTION	QTY.
1	MAT-1AS	TOWER	1
2	MAF-4AS	FRAME	1
3	MF-50AS	GAUGE ROD HOLDER	1
4	MF-49AS	GAUGE ROD	1
5	CBF1210064	3/4" X 4" CARRIAGE BOLT	7
6	HTN1210	3/4" LOCK NUT	12
7	MF-230	INSERT BUSHING	8
8	LF-84AS	LIFT PIN	2
9	MF-69AS	GAUGE ROD BOLT	2
10	CTK0200016	1/8" X 1" COTTER KEY	2

REF #	PART #	DESCRIPTION	QTY.
11	ZER1805	GREASE FITTING	4
12	CBF1210072	3/4" X 4 1/2" CARRIAGE BOLT	1
13	48P604	48" BUCKET	*
	54P605	54" BUCKET	*
14	MB-214	48" BLADE	*
	MAB-314	54" BLADE	*
15	RLB-15	SIDE BLADE	2
16	DEC-55	DECAL KIT (NOT SHOWN)	1
17	B-1531	INSERT BUSHING	4

*NOTE: \*Check width of the bucket and use the part number that matches. If your size is not shown, contact Westendorf Mfg. Co.*

WESTENDORFMFG PWB111240

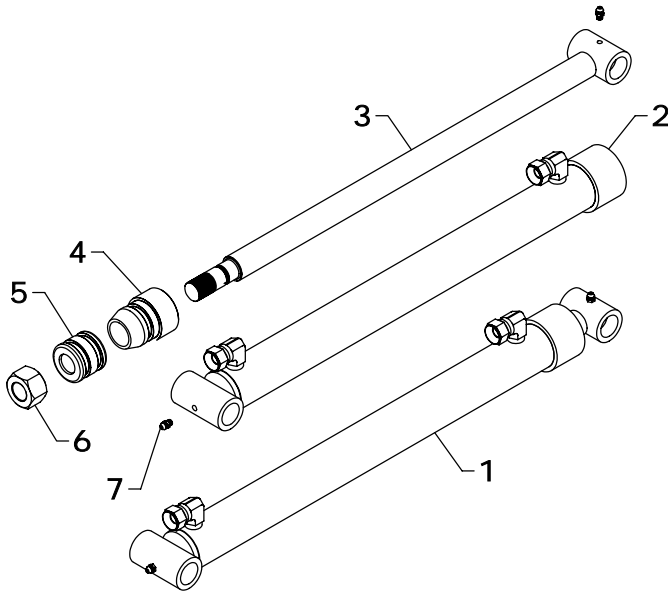
WESTENDORF MFG. CO., INC. • PH: (712) 423-2762 • FAX: (712) 423-1460 • sales@westendorfmfg.com • www.loaders.com



## TA-54 LOADER TOWER REPLACEMENT PARTS

REF #	PART #	DESCRIPTION	QTY.
1	MFT-12AS	TOWER (RIGHT)	1
2	MFT-11AS	TOWER (LEFT)	1
3	0H041	FRONT WRAP	1
4	MF-230	INSERT BUSHING	4
5	MCF-48	SQUARE HEAD WASHER	4

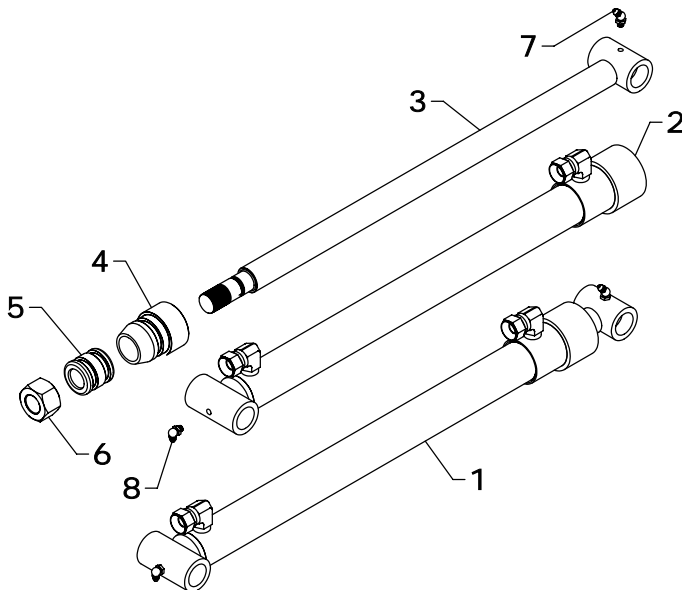
REF #	PART #	DESCRIPTION	QTY.
6	CBF1210064	3/4" X 4" CARRIAGE BOLT	4
7	HHS0813024	1/2" X 1 1/2" BOLT	4
8	HTN1210	3/4" LOCK NUT	4
9	HFN0813	1/2" NUT	4
10	LWM08	1/2" LOCKWASHER	4



## TA-52 / TA-54 / TA-55 BUCKET CYLINDER REPLACEMENT PARTS

REF #	PART #	DESCRIPTION	QTY.
1	B-25	CYLINDER	1
2	B-2501	BARREL	1
3	L-2510	RAM	1
4	G-N	GLAND	1
5	P-F	PISTON	1
6	HFN1414	7/8" NUT	1
7	ZER1805	GREASE FITTING	2
8	#26CK	SEAL KIT	*

*NOTE: \* Seal kit contains parts to repair one cylinder*



## TA-52 / TA-54 / TA-55 LIFT CYLINDER REPLACEMENT PARTS

REF #	PART #	DESCRIPTION	QTY.
1	L-25	LIFT CYLINDER	1
2	L-2501	BARREL	1
3	L-2510	RAM	1
4	G-N	GLAND	1
5	P-G	PISTON	1
6	HFN1414	7/8" NUT	1
7	ZER521	45° GREASE FITTING	1
8	ZER523	90° GREASE FITTING	1
9	#25CK	SEAL KIT	*

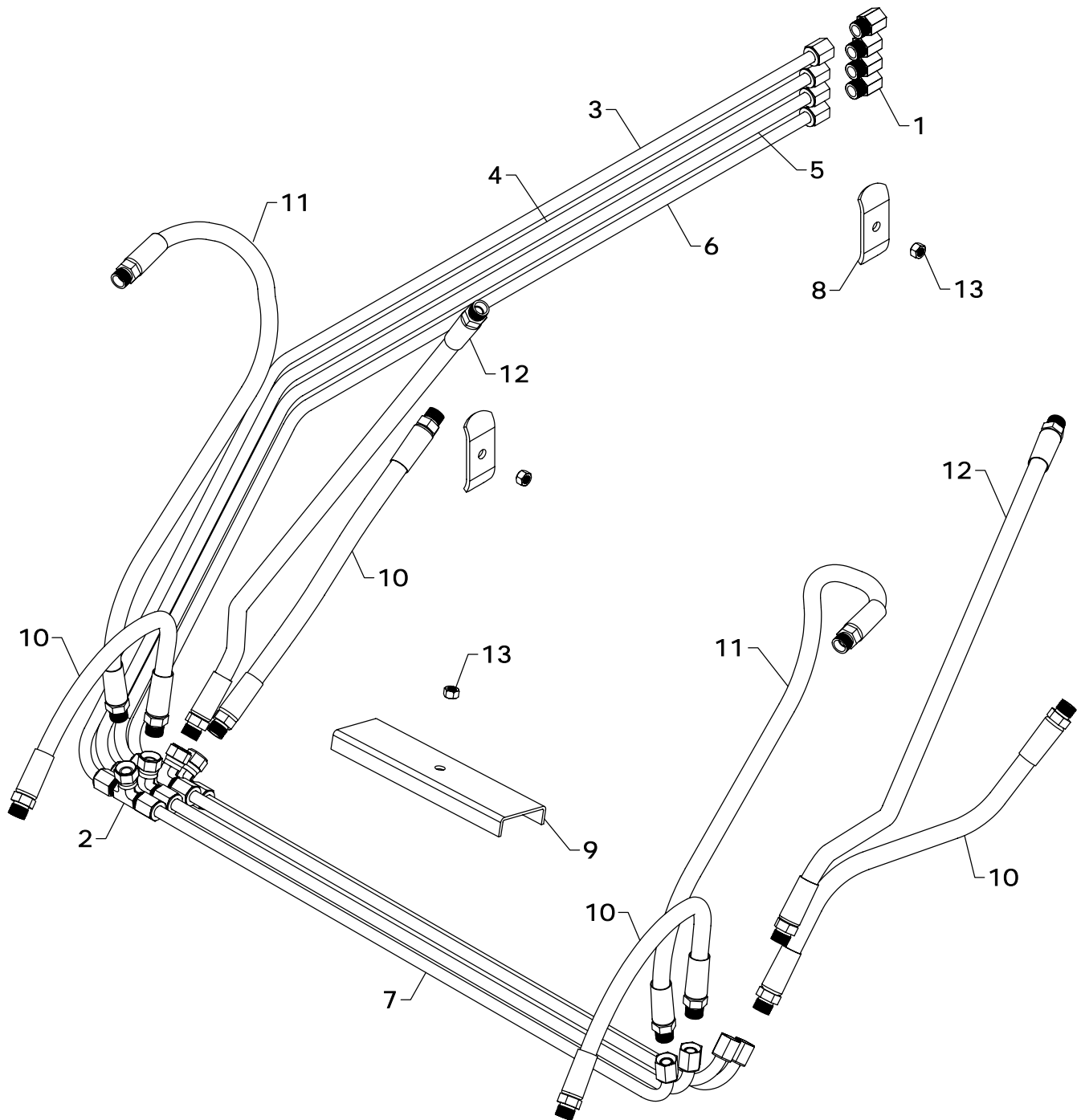
*NOTE: \* Seal kit contains parts to repair one cylinder*

### STEPS TO REPAIR CYLINDER

- 1) Extend the ram out as far as possible.
- 2) At the ram end of the cylinder barrel you will find a snap ring located either on the face or inside the notch of the gland.
- 3) Locate the snap ring eyes (you may need to turn the gland inside the barrel to find the snap ring eyes). Compress the snap ring with snap ring pliers.
- 4) Remove the ram assembly (ram, gland, & piston) from barrel.
- 5) Notice the direction they're pointing so they can be properly re-assembled.
- 6) Remove the jam nut and/or hex nut from the end of the ram.
- 7) Remove the old seals and rings and replace them with the new seals and rings. (Seal kits are packaged for several different cylinders. You may have extra parts)
- 8) Clean cylinder with cleaner and a clean lint free cloth.
- 9) Lubricate the seals and rings to aid assembly.
- 10) Assemble the cylinder by reversing the order.

### CYLINDER REPAIR TIPS

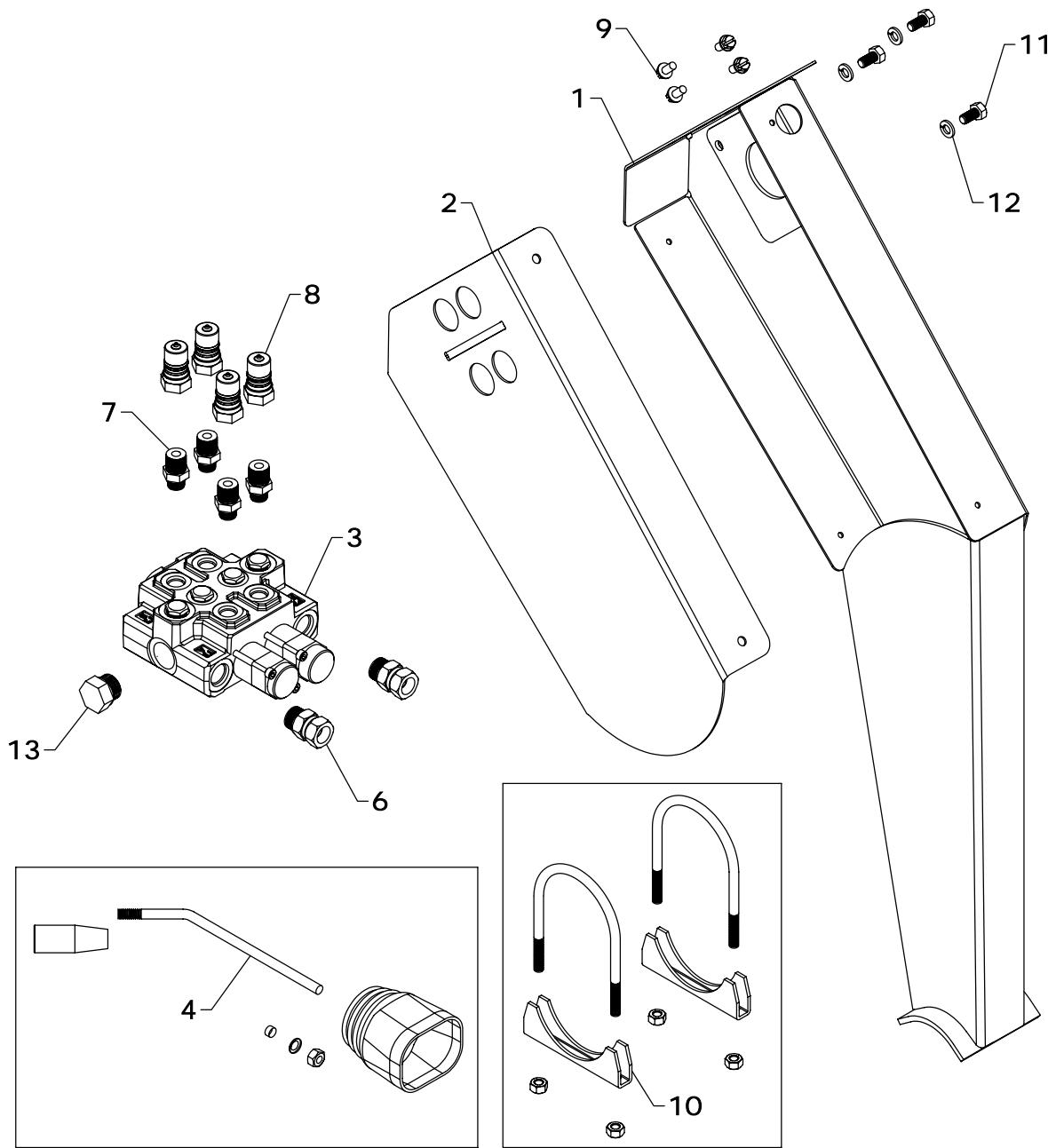
- When disassembling cylinders, keep the parts in correct orientation. Remove parts in sequence.
- Note the direction of the piston and gland. Lay out old seals and parts as they are removed.
- Assemble cylinder in proper order; lubricate to aid assembly.



## TA-54 / TA-55 HYDRAULICS

REF #	PART #	DESCRIPTION	QTY.
1	PF-FFC8	FEMALE CONNECTOR	4
2	PF-FSBT8	SWIVEL NUT TEE	4
3	OLT-180	OIL LINE	1
4	OLT-181	OIL LINE	1
5	OLT-182	OIL LINE	1
6	OLT-183	OIL LINE	1
7	OLT-184	OIL LINE	4

REF #	PART #	DESCRIPTION	QTY.
8	OH-3	OIL LINE HOLDER	2
9	OH-11	OIL LINE HOLDER	1
10	H06020-FF	3/8" X 20" HOSE	4
11	H06030-FF	3/8" X 30" HOSE	2
12	H06040-FF	3/8" X 40" HOSE	2
13	HTN0616	3/8" LOCK NUT	3



## KVJ-15 VALVE

REF #	PART #	DESCRIPTION	QTY
1	VP-171-01	VALVE PLATE	1
2	VP-171-02	VALVE COVER	1
3	OC-2NB	VALVE	1
4	VJ-302COM	HANDLE KIT	1
5	DE-VJ1	DECAL (NOT SHOWN)	1
6	PF-OS0806	3/4-16 TO 3/8" O-RING PIPE SWIVEL ADAPTER	2
7	PF-OA06	9/16" O-Ring - 3/8" MALE ADAPTOR	4

REF #	PART #	DESCRIPTION	QTY
8	LM-110	MALE COUPLER	4
9	STW1214008	7/32" X 1/2" HEX HEAD SCREW	4
10	EXH-72	3" EXHAUST CLAMP	2
11	HHS0518010	5/16" X 5/8" BOLT	3
12	LWM05	5/16" LOCK WASHER	3
13	PF-PO10	7/8"-14 HEX HEAD PLUG	1

*NOTE: Hoses are included in the Bracket Mounting Instruction.*

MANIFOLD		
PART #	DESCRIPTION	QTY
MA-26	MANIFOLD	1

WESTENDORFMFG PWB111240

WESTENDORF MFG. CO., INC. • PH:(712) 423-2762 • FAX: (712) 423-1460 • sales@westendorfmfg.com • www.loaders.com