

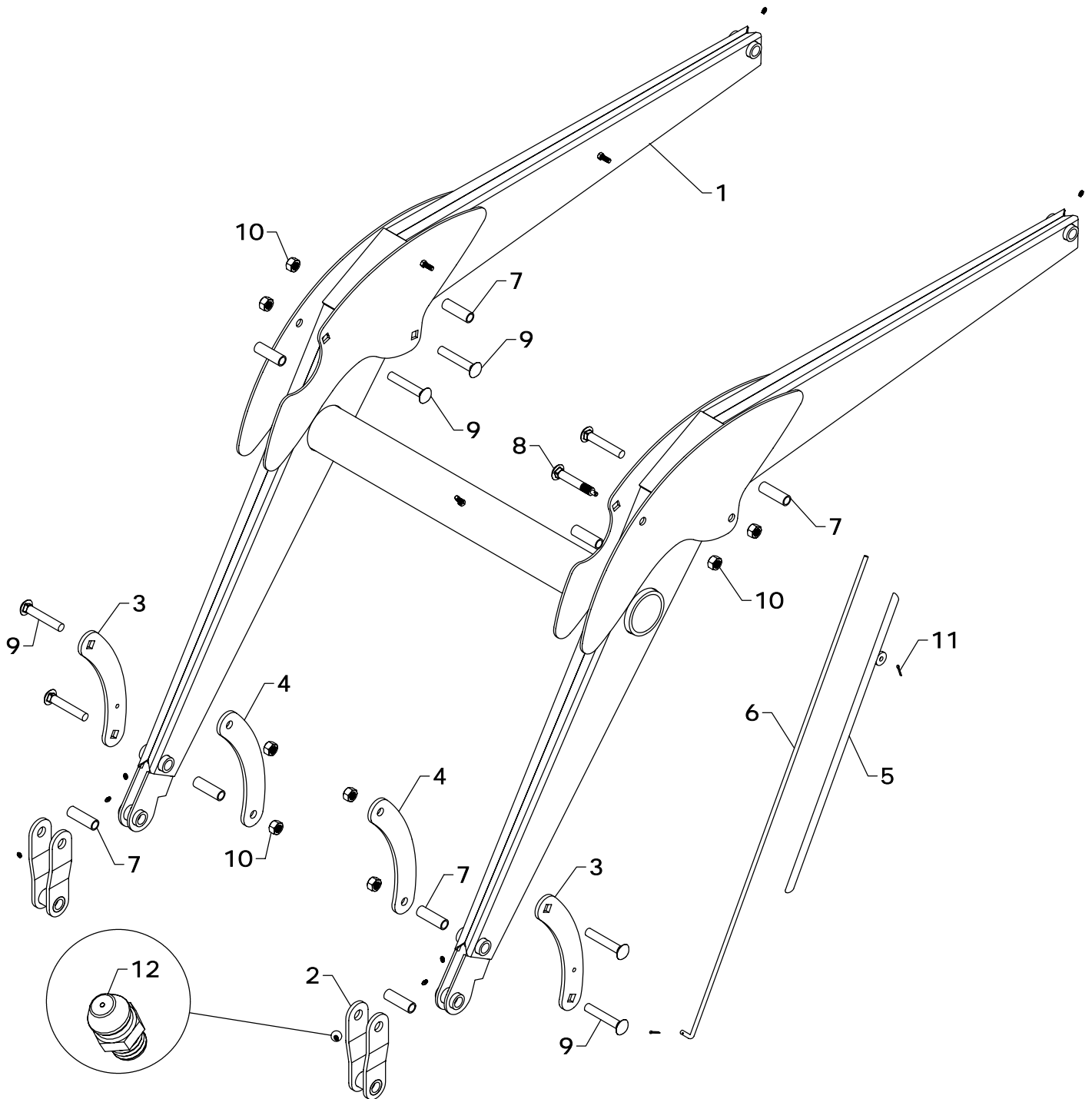
## TA-185 LOADER TOWER REPLACEMENT PARTS

REF #	PART #	DESCRIPTION	QTY.
1	MDT-12AS - R	TOWER (RIGHT)	1
2	MDT-12AS - L	TOWER (LEFT)	1
3	MDT-5	SIDE RAIL SPACER	2
4	MDT-6	LATCH	2
5	0H062	FRONT WRAP	1
6	B-930	INSERT BUSHING	4
7	BUS-58	BUSHING	2

REF #	PART #	DESCRIPTION	QTY.
8	HHS1011028	5/8" X 1 3/4" BOLT	2
9	HHS1011040	5/8" X 2 1/2" BOLT	4
10	CBF1210072	3/4" X 4 1/2" CARRIAGE BOLT	2
11	CBF1210080	3/4" X 5" CARRIAGE BOLT	2
12	HTN1011	5/8" LOCK NUT	6
13	HTN1210	3/4" LOCK NUT	4

WESTENDORFMFG PWB114130

WESTENDORF MFG CO., INC. • PH: (712) 423-2762 • FAX: (712) 423-1460 • sales@westendorfmfg.com • www.loaders.com



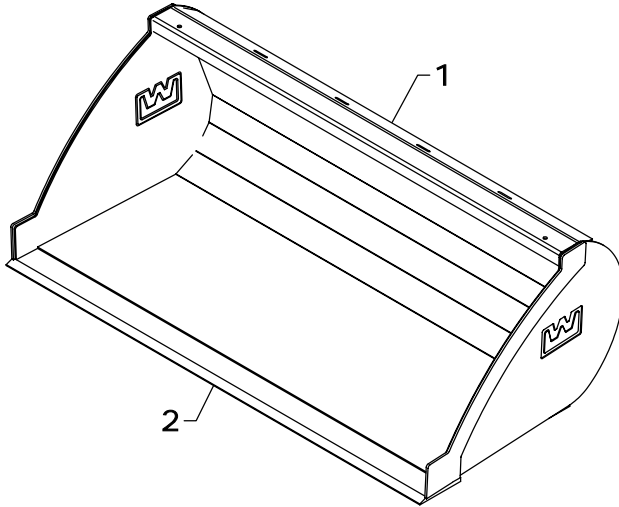
TA-185 LOADER FRAME REPLACEMENT PARTS

REF #	PART #	DESCRIPTION	QTY
1	MDF-108AS	FRAME	1
2	MDF-15AS	LINKAGE	2
3	MDF-10	OUTSIDE PIVOT STRAP	2
4	MDF-11	INSIDE PIVOT STRAP	2
5	MF-50AS	GAUGE ROD HOLDER	1
6	RF-49	INNER GAUGE ROD	1

REF #	PART #	DESCRIPTION	QTY
7	B-931	INSERT BUSHING	8
8	MAF-169	GAUGE ROD PIN	1
9	CBF1210072	3/4" X 4 1/2" CARRIAGE BOLT	7
10	HTN1210	3/4" LOCK NUT	8
11	CTK0200016	1/8" X 1" COTTER KEY	2
12	ZER1805	GREASE FITTING	8

WESTENDORFMFG PWB114130

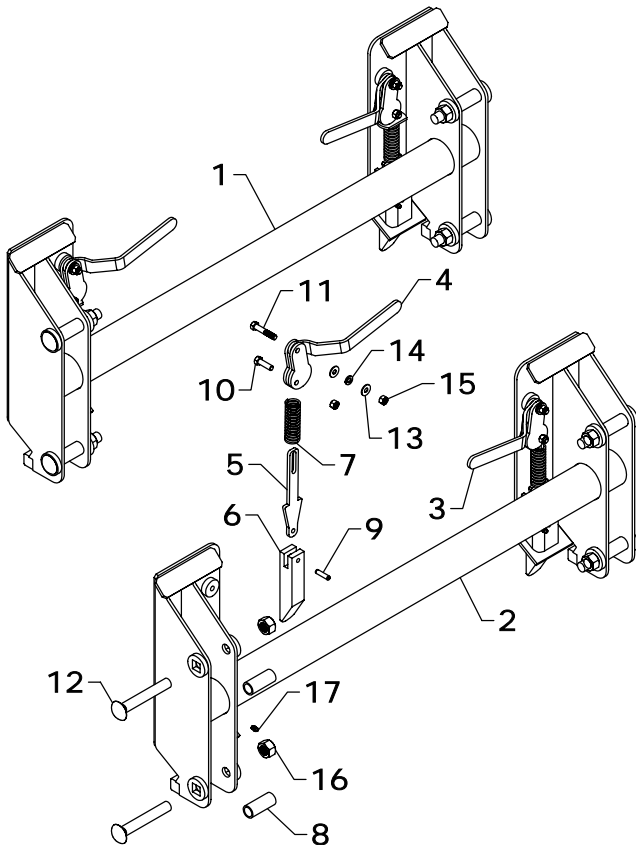
WESTENDORF MFG. CO., INC. • PH:(712) 423-2762 • FAX: (712) 423-1460 • sales@westendormfg.com • www.loaders.com



## TA-185 BUCKETS

REF #	PART #	DESCRIPTION	QTY.
1	60QS13	60" SKID STEER BUCKET	1
	66QS14	66" SKID STEER BUCKET	1
	72QS15	72" SKID STEER BUCKET	1
2	AB-14	60" BLADE	1
	IB-14	66" BLADE	1
	JB-14	72" BLADE	1

*NOTE: \*Check width of the bucket and use the part number that matches. If your size is not shown, contact Westendorf Mfg. Co.*



## TA-185 SKID STEER COUPLER (C-25)

REF #	PART #	DESCRIPTION	QTY.
1	C-25	SKID STEER COUPLER	1
2	QC-2026AS	COUPLER	1
3	QC-2007AS - R	HANDLE (RIGHT)	1
4	QC-2007AS - L	HANDLE (LEFT)	1
5	QC-2010	LINKAGE	2
6	QC-2011	LATCH	2
7	QC-12	SPRING	2
8	MF-230	INSERT BUSHING	4
9	RLP0500020	5/16" X 1 1/4" ROLL PIN	2
10	HHS0616020	3/8" X 1 1/4" BOLT	2
11	HHS0616032	3/8" X 2" BOLT	2
12	CBF1210080	3/4" X 5" CARRIAGE BOLT	4
13	FWW05	5/16" FLAT WASHER	4
14	LWM06	3/8" LOCK WASHER	2
15	HTN0616	3/8" LOCK NUT	4
16	HTN1210	3/4" LOCK NUT	4
17	ZER1805	GREASE FITTING	2

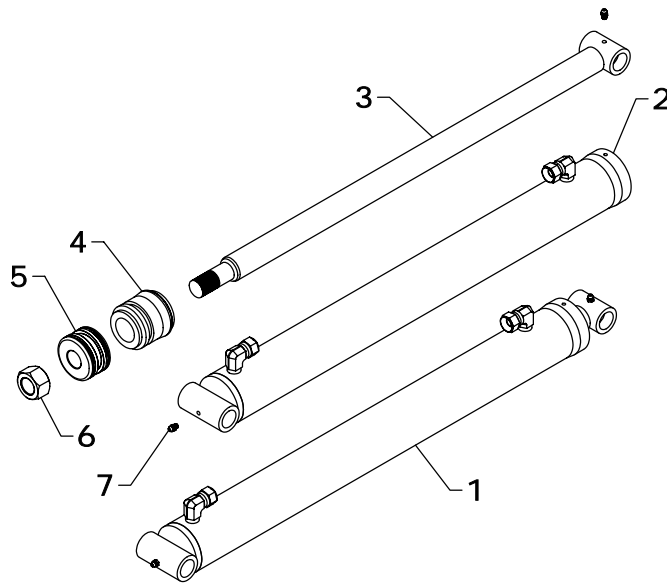
## TA-185 COSMETICS

REF #	PART #	DESCRIPTION	QTY.
1	DEC-185	DECAL KIT (TA-185)	1
	DEC-175	DECAL KIT (TA-175)	1
2	V-19053-51-A	RED SPRAY PAINT	1
3	V-9524-A	BLACK SPRAY PAINT	1
4	V-19053-51-P	PINT RED PAINT	1

REF #	PART #	DESCRIPTION	QTY.
5	V-9524-P	PINT BLACK PAINT	1
6	V-19053-51-Q	QUART RED PAINT	1
7	V-9524-Q	QUART BLACK PAINT	1
8	V-19053-51-G	GALLON RED PAINT	1
9	V-9524-G	GALLON BLACK PAINT	1

*NOTE: Warning decals are available at no charge. If they become damaged or missing, order part numbers DE-DWWS, DE-WWWS, DE-PP, DE-QCC, and DE-185.*

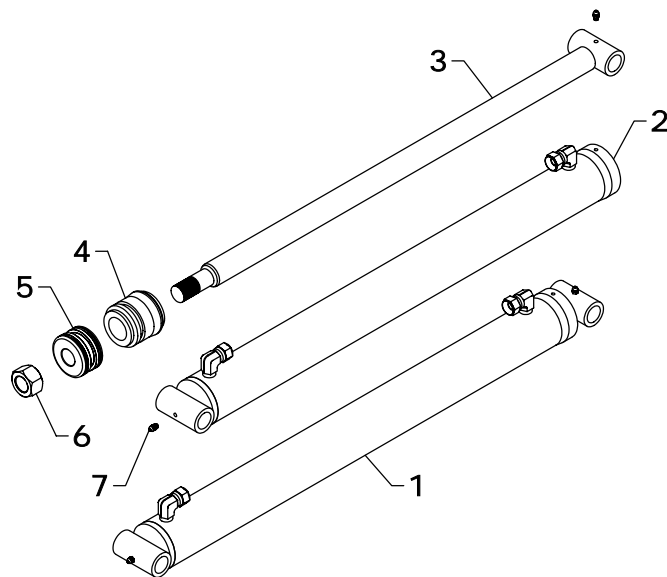
WESTENDORFMFG PWB114130



## TA-185 BUCKET CYLINDER REPLACEMENT PARTS

REF #	PART #	DESCRIPTION	QTY.
1	B-48	BUCKET CYLINDER	1
2	B-4801	BARREL	1
3	B-3910	RAM	1
4	G-X	GLAND	1
5	P-A	PISTON	1
6	HFN1614	1" NUT	1
7	ZER1805	GREASE FITTING	2
9	#39CK	SEAL KIT	*

*NOTE: \* Seal kit contains parts to repair one cylinder*



## TA-185 LIFT CYLINDER REPLACEMENT PARTS

REF #	PART #	DESCRIPTION	QTY.
1	L-52	LIFT CYLINDER	1
2	L-5201	BARREL	1
3	L-3810	RAM	1
4	G-X	GLAND	1
5	P-A	PISTON	1
6	HFN1614	1" NUT	1
7	ZER1805	GREASE FITTING	2
9	#39CK	SEAL KIT	*

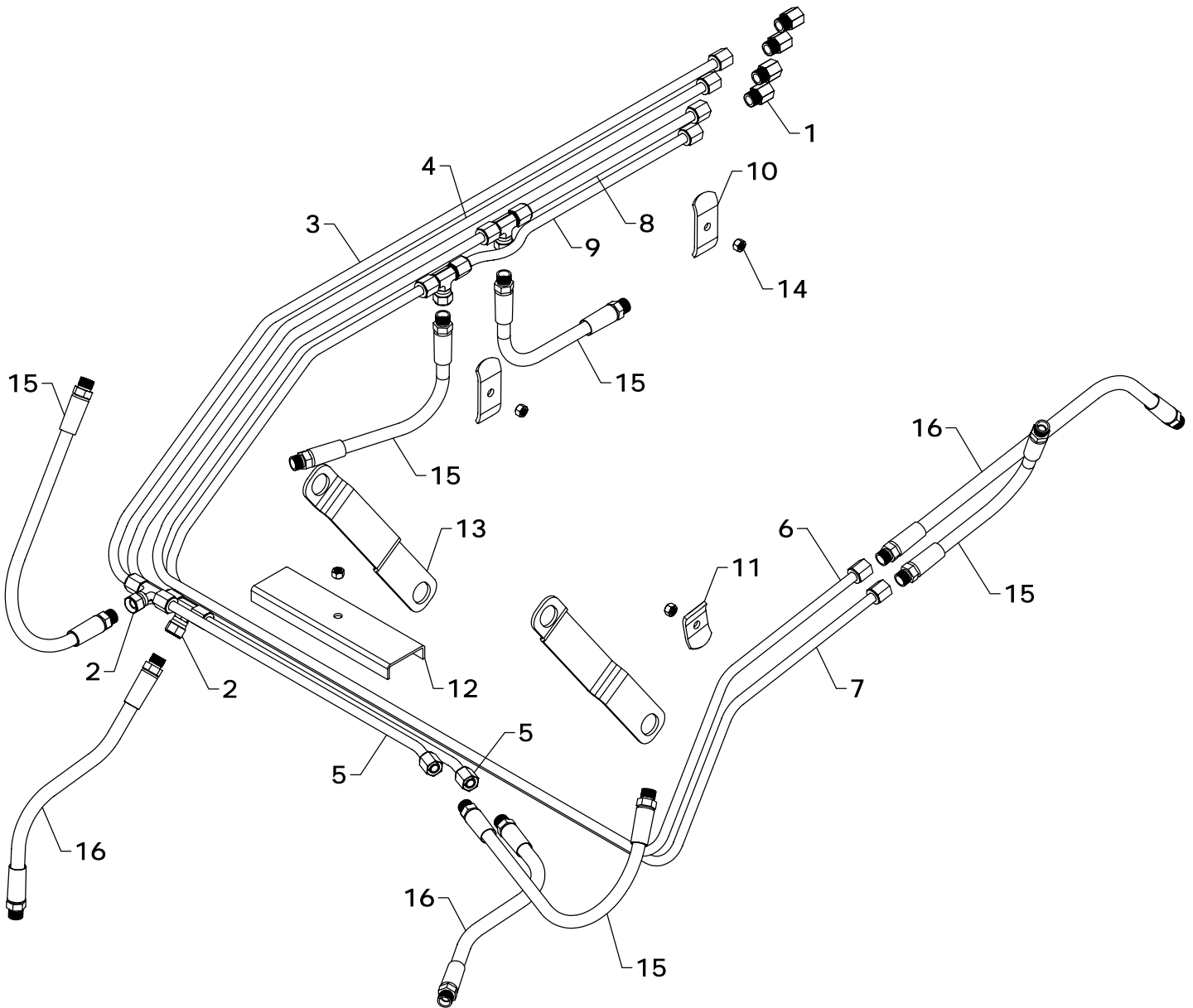
*NOTE: \* Seal kit contains parts to repair one cylinder*

### STEPS TO REPAIR CYLINDER

- 1) At the ram end of the cylinder barrel, remove the spiral retaining ring from the top of the gland.  
**NOTE:** The G-E gland does not use the spiral retaining ring.
- 2) Gently drive the gland into the barrel using a brass or non-marring punch until the round retaining ring is visible.
- 3) Remove the round retaining ring using a pair of long nose pliers. Remove the ram assembly (ram, gland, and piston) from the barrel.
- 4) Notice the direction they're pointing so they can be properly re-assembled.
- 5) Remove the jam nut and/or hex nut from the end of the ram.
- 6) Remove the old seals and rings and replace them with the new seals and rings. (Seal kits are packaged for several different cylinders. You may have extra parts)
- 7) Clean cylinder with cleaner and a clean lint free cloth.
- 8) Lubricate the seals and rings to aid assembly.
- 9) Assemble the cylinder by reversing the order.

### CYLINDER REPAIR TIPS

- When disassembling cylinders, keep the parts in correct orientation. Remove parts in sequence.
- Note the direction of the piston and gland. Lay out old seals and parts as they are removed.
- Assemble cylinder in proper order; lubricate to aid assembly.



## TA-185 HYDRAULICS

REF #	PART #	DESCRIPTION	QTY.
1	PF-FFC8	FEMALE CONNECTOR	4
2	PF-FSBT8	SWIVEL NUT TEE	4
3	OLT-530	OIL LINE	1
4	OLT-531	OIL LINE	1
5	OLT-532	OIL LINE	2
6	OLT-533	OIL LINE	1
7	OLT-534	OIL LINE	1
8	OLT-535	OIL LINE	1

REF #	PART #	DESCRIPTION	QTY.
9	OLT-536	OIL LINE	1
10	OH-3	OIL LINE HOLDER	2
11	OH-6	OIL LINE HOLDER	1
12	OH-11	OIL LINE HOLDER	1
13	OH-21	OIL LINE HOLDER	2
14	HTN0616	3/8" LOCK NUT	4
15	H06020-FF	3/8" X 20" HOSE	5
16	H06030-FF	3/8" X 30" HOSE	3