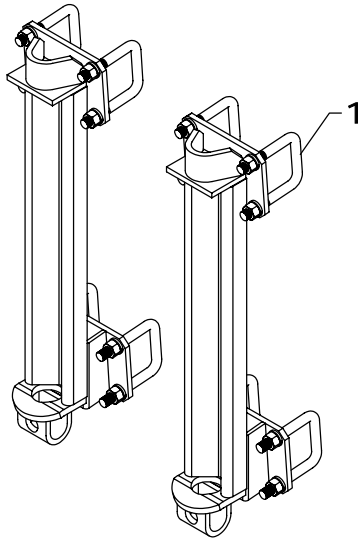


SP-43 THREE-PRONG BALE SPEAR REPLACEMENT PARTS

REF #	PART #	DESCRIPTION	QTY
1	SP-43AS	FRAME	1
2	BS-248	BALE SPEAR	1
3	BS-247	NUT	1
4	BS-47	SPEAR	2

REF #	PART #	DESCRIPTION	QTY
5	HHS0616032	3/8" X 2" BOLT	2
6	LWM06	3/8" LOCK WASHER	2
7	HFN0616	3/8" NUT	2

C-3 STANDARD ADAPTER KIT



REF #	PART #	DESCRIPTION	QTY
1	C-3 KIT	FEMALE ADAPTER KIT	1

NOTE: C-3 Adapters are standard for Westendorf loaders. Other adapters are available. See instructions for alternate adapters.

SP-43 OPTIONAL SKID STEER ADAPTER KIT (C-19)

REF #	PART #	DESCRIPTION	QTY
1	QC-1901AS - R	ATTACHMENT ADAPTER (RIGHT)	1
2	QC-1901AS - L	ATTACHMENT ADAPTER (LEFT)	1
3	QC-1907AS	SPACER TUBE	4
4	PL-111	CLAMP PLATE	2
5	STP-88	CLAMP STRAP	2
6	HHS1011096	5/8" X 6" BOLT	12
7	LWM10	5/8" LOCK WASHER	12
8	HFN1011	5/8" NUT	12

*NOTE: *QC-1907 KIT includes 3(4), 4(2), 5(2), 6(12), 7(12), & 8(12).*

