

BASIC SNOW SCRAPER (WELD ON BLADE) REPLACEMENT PARTS

REF #	PART #	DESCRIPTION	QTY
1	DB-300AS	8' SNOW SCRAPER	1
	DB-400AS	10' SNOW SCRAPER	1
	DB-500AS	12' SNOW SCRAPER	1
2	DB-61	8' BLADE	*
	DB-71	10' BLADE	*
	DB-501	12' BLADE	*
3	SB-15	BLADE	*

OPTIONAL SKID KIT			
REF #	PART #	DESCRIPTION	QTY
4	DB-810 KIT	SNOW SCRAPER SKID KIT	1

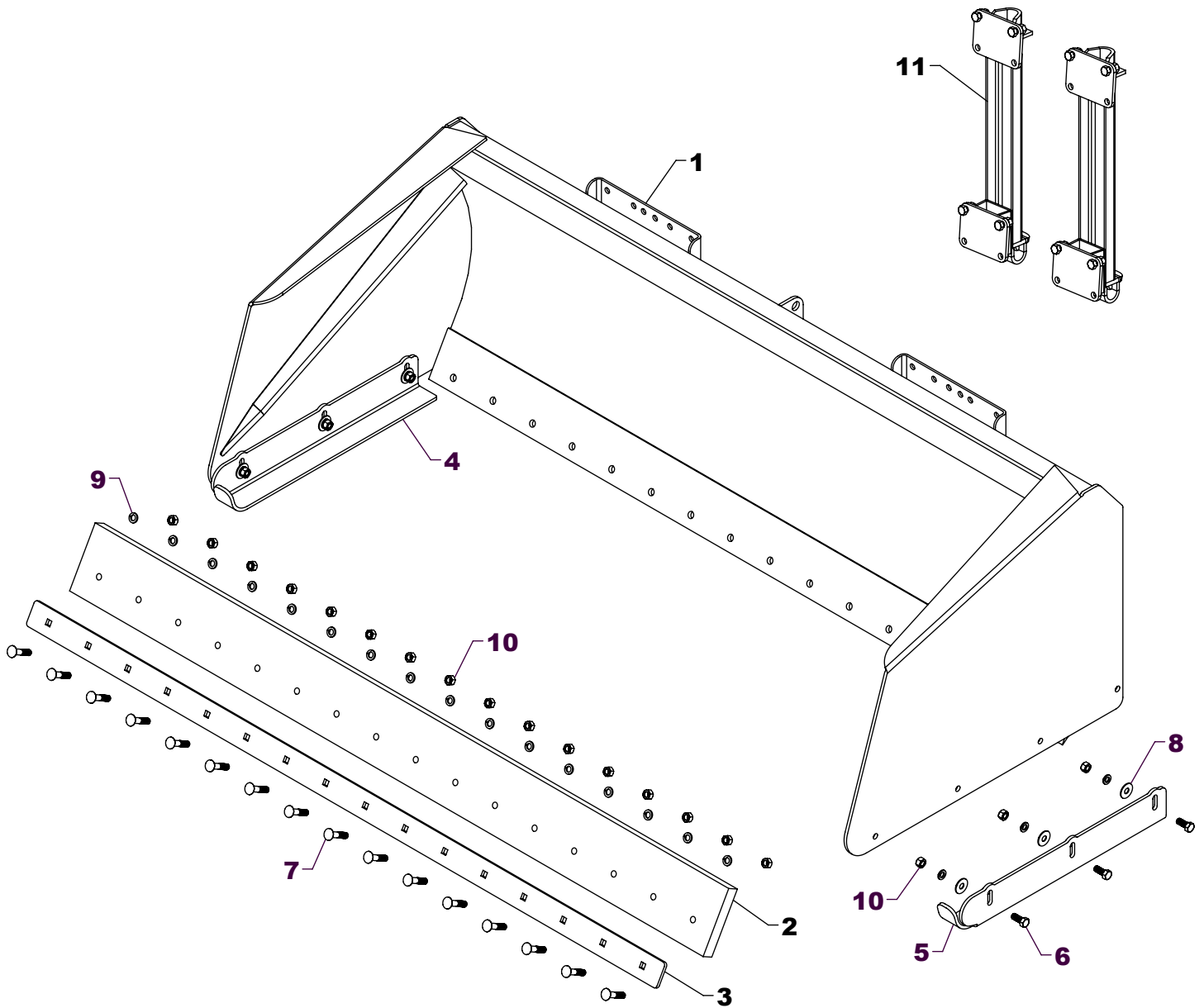
STANDARD ADAPTER KIT			
REF #	PART #	DESCRIPTION	QTY
5	C-3 KIT-1	FEMALE ADAPTER KIT	1

NOTE: *Use when ordering replacement parts

NOTE: C-3 Adapters are standard for Westendorf loaders. Other adapters are available. See instructions for alternate adapters.

WESTENDORFMFG SJG117201

WESTENDORF MFG CO., INC. • PH: (712) 423-2762 • FAX: (712) 423-1460 • sales@westendorfmfg.com • www.loaders.com



BASIC SNOW SCRAPER (BOLT ON POLY BLADE) REPLACEMENT PARTS

REF #	PART #	DESCRIPTION	QTY
1	DB-600AS	8' SNOW SCRAPER W/POLY BLADE	1
	DB-700AS	10' SNOW SCRAPER W/POLY BLADE	1
	DB-800AS	12' SNOW SCRAPER W/POLY BLADE	1
2	DB-601	8' POLY BLADE	1
	DB-701	10' POLY BLADE	1
	DB-801	12' POLY BLADE	1
3	DB-611	8' CLAMP PLATE	1
	DB-711	10' CLAMP PLATE	1
	DB-811	12' CLAMP PLATE	1

REF #	PART #	DESCRIPTION	QTY
4	DB-810-R	SKID (RIGHT)	1
5	DB-810-L	SKID (LEFT)	1
6	HHS1011024	5/8" X 1 1/2" BOLT	6
7	CBF1011048	5/8" X 3" CARRIAGE BOLT	16
8	FWW10	5/8" FLAT WASHER	6
9	LWM10	5/8" LOCK WASHER	22
10	HFN1011	5/8" NUT	22

STANDARD ADAPTER KIT

REF #	PART #	DESCRIPTION	QTY
11	C-3 KIT-1	FEMALE ADAPTER KIT	1

NOTE: C-3 Adapters are standard for Westendorf loaders.
Other adapters are available. See instructions for alternate adapters.

WESTENDORFMFG SJG117201

WESTENDORF MFG. CO., INC. • PH:(712) 423-2762 • FAX: (712) 423-1460 • sales@westendorfmfg.com • www.loaders.com