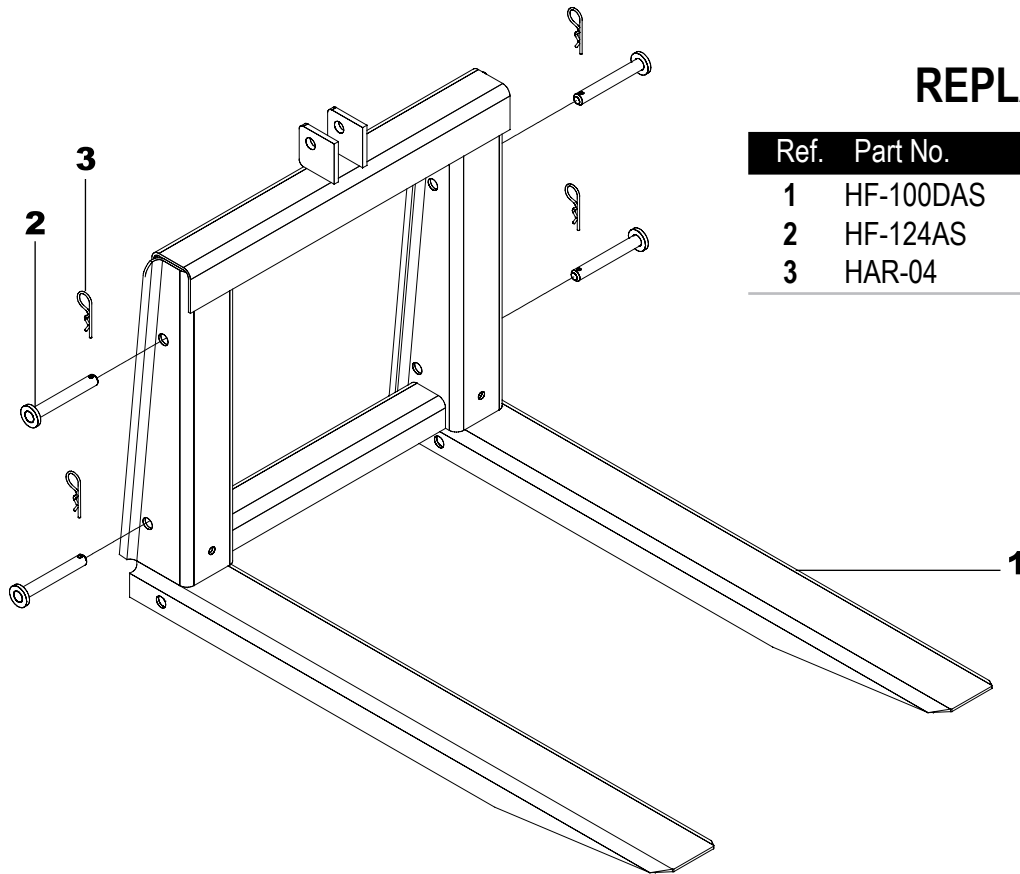


SCISSORS LIFT BASIC REPLACEMENT PARTS

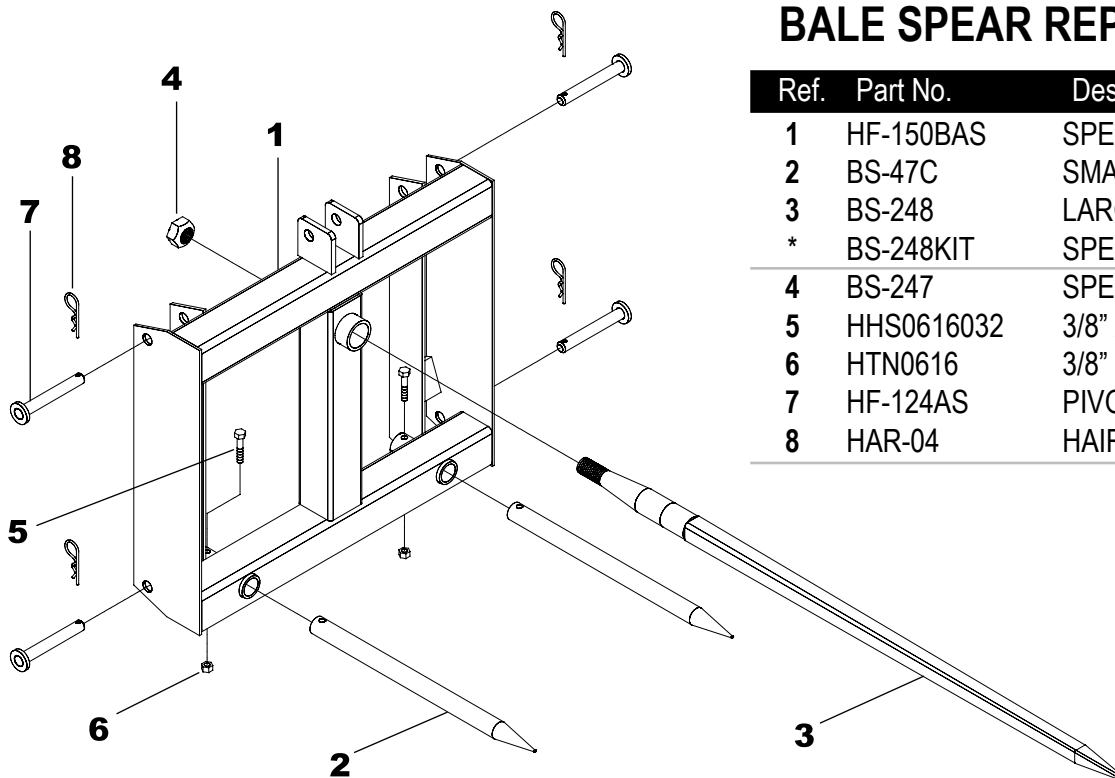
Ref.	Part No.	Description	Qty.	Ref.	Part No.	Description	Qty.
1	HF-108AS	INNER FRAME ASSEMBLY	1	12	HTN0813	LOCKNUT 1/2"	4
2	HF-112AS	OUTER FRAME ASSEMBLY	1	13	HHS1210096	BOLT 3/4" X 6"	1
3	HF-127AAS	UPPER PIVOT BAR	2	14	HTN1210	LOCKNUT 3/4"	1
4	HF-121A	UPPER LINKAGE BAR	4	15	CTK0400024	COTTER PIN 1/4" X 1-1/2"	2
5	HF-122	UPPER LINKAGE BUSHING	2	16	SR-C08	SNAP RING	2
6	HF-120A	LOWER LINKAGE BAR	2	17	HAR04	HAIR PIN	1
7	HF-126	LOWER LINKAGE BUSHING	1	18	QLP0700024	LYNCH PIN	3
8	HF-129AS	MAIN PIVOT PIN	2	19	ZER1805	GREASE FITTING	2
9	HF-124AS	PIVOT PIN	2	20	HF-135AS	DRAW BAR LINKAGE	1
10	HF-125AS	PIN	1	21	ZER1813	GREASE FITTING	4
11	HHS0813028	BOLT 1/2" X 1-3/4"	4				

FORKLIFT REPLACEMENT PARTS



Ref.	Part No.	Description	Qty.
1	HF-100DAS	TOOTH ASSEMBLY	1
2	HF-124AS	PIVOT PIN	4
3	HAR-04	HAIR PIN	4

BALE SPEAR REPLACEMENT PARTS



Ref.	Part No.	Description	Qty.
1	HF-150BAS	SPEAR FRAME ASSEMBLY	1
2	BS-47C	SMALL SPEAR	2
3	BS-248	LARGE SPEAR	1
*	BS-248KIT	SPEAR, NUT, AND BUSHING	1
4	BS-247	SPEAR NUT	1
5	HHS0616032	3/8" X 2" BOLT	2
6	HTN0616	3/8" LOCK NUT	2
7	HF-124AS	PIVOT PIN	4
8	HAR-04	HAIR PIN	4