

*If looks could kill--
Other loaders would be dead!*



Freedom Mount

The Freedom Mount™ series is built with the most cutting-edge technology by some of the smartest design engineers, experienced weld technicians, and brilliant research and development teams. So you're getting the latest technological advances and a loader that isn't in danger of becoming obsolete anytime soon. The new Freedom Mount™ loader is a prime example of a top of the line dynamically designed loader that offers the best visibility on the market, precision positioning, a triple-force arm, plug-n-play hidden hydraulic system, perfect bucket with double bolt-on cutting edge, one-piece mounting bracket, remote control coupler for lightening fast implement changes, and an all new mounting system that gives new meaning to the term quick on and off.

Intelligence at a glance...




**Quick Mount
Loader without
Stands**

Freedom-Mount™ Patented On & Off

The only loader with the freedom to use the bucket to take the loader on and off without the need for tools or dangerous kick stands.





**Attachment
Changes
From the Cab**




We are Better Connected...

Easily change attachments from the comfort of your cab eliminating all the unnecessary trips in and out of the tractor cab.


**Smart Pac
Lineless
Cylinders**


**Tapered Box
I-Beam Arm
Construction**


**Sleek - Line
Free Interior
Side Walls**


**Lowest
Profile Fit**


**Great
Visibility
in All
Directions**


**Maximum
Wheel
Clearance**


**Works
with
Fenders**


**The
Perfect
Bucket**

Engineered for Maximum Strength

The tapered, rib-free interior of this bucket empties quickly without sticking and is reinforced externally to absorb the shock of digging.

The Envy of the Loader Industry

-- Freedom Mount™ patented features

Get a load of these revolutionary patented Freedom Mount™ features you won't find on any other loader:

The WOW factor

The styling of the new Freedom Mount loaders not only has an undeniable WOW factor, but the intelligent design which places the hydraulic hoses inside the sleek and sturdy arms, not only suppressing wear and tear, but the loader's stream-lined profile allows for beautiful unencumbered visibility that no other loader comes close to offering.



SEE the difference

Westendorf is the only manufacturer to offer patented cylinder positioning inside the loader's arms, which allows the loader to fit large tires and keep the loader close to the tractor and while sitting low along the tractor's hood. You owe it to yourself to compare. Other loaders sits above the hood causing tunnel vision.

We speak loader

At Westendorf, we not only speak loader, but our sole purpose has been patenting loader innovation for over 75 years. While other companies are constantly changing who is going to manufacture their loaders, we concentrate on taking all of the knowledge we have gained over the years



to make our loaders operate in the best and most efficient way possible—all to make your life easier.

Form meets function

Only Freedom Mount™ loaders have the unique design that allows you the freedom to use the bucket to take the loader on and off without the need for tools or dangerous kick stands.

Without a doubt

Westendorf's revolutionary patented Freedom Mount™ loaders offer unsurpassed quality, performance and strength. Oh, and they are really good looking, too! No wonder Westendorf's Freedom Mount loaders are the envy of the industry. Don't let them talk you into anything less.



Hydra-Snap™

This isn't just another coupling system, but a multi-unit, one-lever system that allows fast connection of hoses. It's the ideal time-saving companion to compliment the quick mount feature of this loader.



The perfect bucket

This construction grade bucket is a functional part of the Freedom Mount™ system. The most unique role this patented bucket can boast about is its proportionally correct characteristics which allow it to support the loader in the dismounted position. Featuring a clean rib-free interior with outside reinforcements and tapered design, this bucket empties materials quickly without sticking. Correctly positioned steel runners reinforce the bucket and help absorb the shock of digging. In addition to a high-carbon steel welded-in cutting edge, we've added an 8" bolt-on blade as a standard component. It is ideal for high horsepower tractors and everyday use.



The strength is in the design

As with all our previous loader designs, the tapered arm is the key to strength. Reduce strain on your tractor and carry larger payloads at the same time.

Triple force arm

Westendorf raises the bar once again with its Triple Force Arm. The double taper is the first line of defense. The second is the curved arch in the arm. The third is the box I-beam construction. Combine all three and you get a loader that matches the strength of today's very powerful FWA tractors. Go ahead and plow into an oversized pile of manure and raise that heaped bucket with ease.



“... I even pick up two stock bales at one time... saving myself multiple trips.”
Dave & Karla McGrain - Iowa

Tailored

The Freedom Mount™ design makes it possible to position the loader and bucket back on the tractor providing stability and balanced weight distribution, enhancing the overall feel of performance and handling.



High lift and a low profile fit

So how do we give you the best of both world's—a high lift loader with a low profile fit? It's the Freedom Mount's patented cylinder positioning inside the loader's arm that gives you the freedom to fit very large front tires while keeping the loader positioned low along the tractor's hood. The precision loader positioning maintains excellent sightlines in all directions and gives you the balanced control and comfortable operation you've been looking for in a loader.

Load monitoring

It's easy to speed up repetitive tasks with the patented position indicators. **The Height Indicator** monitors loader arm position from the ground to maximum height. **The Level Indicator** monitors the bucket's position, not just at the level position, but at multiple positions from rolled back to fully dumped.



ROTATIONAL HEIGHT INDICATOR



ROTATIONAL LEVEL INDICATOR

“I ordered a FM loader with the Cat Claw grapple. I use it mostly hauling hay and stock bales – haven't moved a lot of brush yet, but it worked well on a couple cedar trees I removed from the fence line. The Cat Claw is excellent, and I can even dismount my loader without having to remove the grapple. It works great for stock bales; I even pick up two at one time and take them to the cattle yard saving myself multiple trips.”

Dave & Karla McGrain - Iowa



Fits like your favorite pair of gloves

The strong one-piece computer designed bracket is tailor fit to your tractor for optimum positioning of the loader. The V-shaped mounting ramp inside the loader's tower is a simple, auto-locking, self-guiding mounting system. The brackets have a composite design that is stronger and more versatile to accommodate today's challenging sculpted frames. This clean bracket design perfectly blends the Freedom Mount loader to your tractor. Brackets have nearly double the surface area of other systems on the market, and they boast large easy-grease pins in all high wear locations.

A revolution of innovation

-- created just for you



- ✓ **Low profile fit that looks great**
- ✓ **Maximum wheel clearance**
- ✓ **Attachment changes "from the cab"**
- ✓ **Quick mount loader without stands**
- ✓ **Great visibility in all directions**
- ✓ **All hydraulic lines are protected**
- ✓ **Box I-beam arm construction**

Best visibility on the market

Whether you're feeding cattle or stacking hay, every job requires clear visibility of the bucket and work area for efficiency. That's why our arms were specifically designed to enable you to see in all directions, thanks to their arched low-profile fit that follows the hood of your tractor.

The arched arm allows ample room for maximum tire oscillation and allows adaptations to tractors with suspended front axles while maintaining a balanced fit. The hoses are routed internally to further enhance your view as well as your ability to see the couplers. This is a marked improvement over other loaders that sit high on the tractor and are known to cause tunnel vision and blind spots.

On or Off in just less than 2 minutes

Westendorf's patented Freedom Mount™ loaders truly allow you to auto-lock and go to work without additional trips off the tractor. It does not require the use of tools or kick stands that can sink into the mud, which can become unsafe. Mounting and dismounting has achieved a new level of versatility so you can run your operation more efficiently. Enjoy this added freedom and remove that loader when it's time to plant or do maintenance on your tractor.



Freedom

This loader looks great AND it lays claim to the most ground-breaking dismounting and mounting process in decades.

"I love the Freedom Mount loader; it's a great piece of equipment, and it fits my John Deere great. I left the loader on for a year before I decided to try to take it off. I was amazed at how quick and easy it came off, and it was just as easy to put back on. It is far and away the easiest loader to mount and dismount that I've ever owned." **Mike Recker** - Iowa

Engineered for maximum strength

The patented Freedom Mount™ bucket features a clean, rib-free interior with outside reinforcement and tapered design; this bucket empties materials quickly without sticking. Correctly positioned steel runners reinforce the bucket and absorb the shock of digging. Self-locking chain hooks, 8" bolt-on blade and tubular steel top rail fortify this incredibly strong bucket against the most brutal working conditions.

Tire freedom like you've never seen before

The Freedom Mount™ loaders are the ideal fit for FWA tractors in the 130 HP to 260 HP range. They fit large front tires while allowing you to keep fenders on most models. They also fit tractors with suspended front axles such as Triple Link and Terraglide or even New Holland's Super Steer models while maintaining a low fit along the hood for optimum visibility while working.



*Introductory offer for a limited time



Non-Smashing performance

Each bracket set includes* a custom engineered grill guard. Provided for your tractor's protection when handling unruly loads of brush or when working in tight areas such as up against the trailer's side rail when stacking hay.



A "smart" idea

This new top-shelf series of cylinders flaunts an exclusive "smart pac" swaged barrel and LINELESS cylinder technology that automatically compresses the gland and its packings past the barrel's edge during assembly and eliminates external hose fittings and hoses. Patents Pending.



Just plug it in - No wrenches

The smart pack cylinders are equipped with Plug-'n-Play hydraulic fitting; the female fittings are docked in the end of the cylinder, so you simply "plug-in" the male ends to connect. Fittings feature a swivel so the hoses move freely and automatically adjust to varying pressures while working, eliminating wear from twisting.



A truly visionary concept

Imagine if you never had to worry about snagging a hose or snapping off a fitting with a load of gnarly brush. We've reduced your maintenance time and repairs by eliminating external hoses, steel lines and fittings from both the cylinders and loader arms.

Custom options

Customize your Freedom Mount™ loader with:

- Top of the line electronic valve and joystick
- Comfort ride system
- T-line for running hydraulic attachments
- Custom tractor matching paint and decals

FM-540

4WD up to 130 HP »
5670# at 13'

Quality You Will Feel; Ingenuity You Will Use

The FM-540 loader is a step up from the popular TA-26 loader series with added strength, modern features and 13' lift height. The patented triple force arms, lineless hydraulic system, Freedom-Mount™ bucket, Hydra-Snap™ hydraulic manifolds, rotational indicators and big grease-from-the-end pins allow for exceptional performance on today's powerful front-wheel assist tractors. Ideal for tractors with large front tires.

FM-540

Base package:

- 3-1/2" Smart Pac Lineless Bucket and Lift Cylinders
- Freedom-Mount™
- Remote Control Coupler
- Mounting & Hose Kit
- Radiator Grill Guard
- Hydra-Snap™
- Rotational Level Indicator
- Rotational Height Indicator
- 86" Large Capacity Bucket with Bolt-on Blade

Options:

- 3rd Steel Line
- Level UP Advantage
- Comfort Ride
- All Electronic Valve & Joystick Package
- Attachments (pp. 90-91)

✓ **All Hydraulic Lines are Protected**

FM-550

4WD up to 165 HP »
7340# at 14'

See and Feel the difference

The FM-550 loader is designed for strength and functionality. Its sleek low-profile shape provides clearer sightlines and amazing visibility in all directions. The patented lineless cylinders and hydraulic system, superior free flow bucket, Hydra-Snap™, rotational indicators and extra heavy bucket with bolt-on blade offers heavy-duty users all the extras to match the higher demands of today's large front-wheel assist tractors.

FM-550

Base package:

- 3-1/2" Smart Pac Lineless Bucket & Lift Cylinders
- Freedom-Mount™
- Remote Control Coupler
- Mounting & Hose Kit
- Radiator Grill Guard
- Hydra-Snap™ Manifolds
- Rotational Level Indicator
- Rotational Height Indicator
- 98" Large Capacity Bucket with Bolt-On Blade

Options:

- 3rd Steel Line
- Level UP Advantage
- Comfort Ride
- All Electronic Valve & Joystick Package
- Attachments (pp. 90-91)

✓ **Great Visibility**

Professional

A - Westendorf doesn't cut any corners where quality and longevity are concerned. Nearly 2" case hardened easy grease-from-the-end pins are located in all high wear areas.

B - This loader and its cylinders are equipped with new Plug-n-Play hydraulic fittings; fittings do not require any wrenches and feature a swivel so the hoses move freely and automatically adjust to varying pressures while working, eliminating wear from flexing and twisting.

C - Have all the power you need and more to get the job done right without hassles of material spilling off the front edge of the bucket. Power-Linkage increases the implement angles for added power and strength you need to drive into a large hay bale or pile of manure and roll back the load to a water holding position.

D - Ensure you have the strength to match the powerful FWA tractors of today with the wide arm area, extended flange, and tapered box build.

Don't be the last to know about this coveted loader series that is overflowing with user-friendly features and time-saving Freedom-Mount™ on and off system.



✓ **Box I-Beam Arm Construction**



“Years ago my brother owned a WL-40, and we’d use that in our farming operation daily. When I bought my own farmstead, I needed to get myself a loader tractor. I had an IH 1086 and put a brand new WL-42 on that tractor in 1980. I’ve been using that loader every day since. I decided it was time to upgrade, and I wanted a Westendorf so I took a look at the FM-560 loader and was sold. All I needed to do was find a tractor to match it. I really like the looks of the loader; it’s a modern loader for a modern tractor. The day the tractor and loader were delivered, my son, Philip, liked it too; he took his girlfriend out for a cruise around the section.”

Dave and Karla McGrain - Iowa

FM-560

4WD up to 200 HP »
7990# at 15'

Dynamically designed for your tractor

The FM-560 loader is designed for larger 6 cylinder tractors. It has the same sleek low-profile patented Freedom Mount™ shape that provides the clearest sightlines in the industry. The patented lineless cylinders and hydraulic system, Hydra-Snap™ manifolds, rotational indicators and larger heavy-duty bucket with bolt-on blade offer today’s heavy-duty user all the extras that he needs to match the higher demands of today’s large front-wheel assist tractors.

FM-560 Base package:

- 3-1/2" Smart Pac Lineless
- Bucket & Lift Cylinders
- Freedom-Mount™
- Remote Control Coupler
- Mounting & Hose Kit
- Radiator Grill Guard
- Hydra-Snap™ Manifolds
- Rotational Level Indicator
- Rotational Height Indicator
- 98" Large Capacity Bucket with Bolt-On Blade

Options:

- 108" Lg. Capacity Bucket
- 3rd Steel Line
- Level UP Advantage
- Comfort Ride
- All Electronic Valve & Joystick Package
- Attachments (pp. 90-91)



Low Profile Fit that Looks Great



Reaching new heights

Speed up operations efficiently with rotational indicators; these are great for repetitive tasks such as stacking hay and pallet work.

The HEIGHT INDICATOR monitors loader position from the ground to max height, ideal for “knowing” where you need to be when stacking hay or loading a trailer.

The LEVEL INDICATOR monitors the bucket’s position from rolled back to fully dumped.



The Perfect Match!



FM-570

4WD up to 210 HP »
7990# at 15'

A modern loader for a modern tractor

The FM-570 loader has all the same benefits of the FM-560, and it adapts to wider framed tractors with large front tires. It has the same sleek low-profile patented Freedom Mount™ shape that provides the clearest sightlines in the industry. The patented lineless cylinders and hydraulic system, Hydra-Snap™ manifolds, rotational indicators, free flow bucket and double tapered I-beam arms ensure you will have the strength in your loader to match the strength of your tractor.

FM-570

Base package:

- 3-1/2" Smart Pack Lineless Bucket and Lift Cylinders
- Freedom-Mount™
- Remote Control Coupler
- Mounting & Hose Kit
- Radiator Grill Guard
- Hydra-Snap™ Manifolds
- Rotational Level Indicator
- Rotational Height Indicator
- 98" Large Capacity Bucket

Options:

- 108" Lg. Capacity Bucket
- 3rd Steel Line
- Level UP Advantage
- Comfort Ride
- All Electronic Valve & Joystick Package
- Attachments (pp. 90-91)



 **Quick Dismount without Kick Stands**



A - This optional electronic valve and joystick package gives you the kind of fingertip control that speeds up your operation with programmable functions such as auto-float, return-to-dig or bucket-chatter. Speed control allows precision function to maneuver in tight places.

B - Built-in, self-locking chain hooks are properly spaced in line with the loader arms for strength and convenience. Standard on all Freedom Mount buckets.

C - The double tapered arm and box I-beam build is the key to strength. Reduce strain on your tractor and carry larger payloads at the same time.

D - To dismount, just set the loader on its bucket, flip up the latch and back away. The mounting is just as simple; just drive in, connect the hydraulics, lower the arms and the loader "automatically locks on". It can be dismounted "with" the optional Cat Claw grapple installed.

 **Maximum Wheel Clearance**



FM-580

4WD up to 260 HP »
9460# at 16'

Muscle you won't believe

The FM-580 is the granddaddy of the Freedom Mount™ series. It has all the same modern day features such as patented lineless cylinders and hydraulic system, Hydra-Snap™ manifolds, huge bucket with double bolt-on blade and double tapered I-beam arms ensure you will have the strength in your loader to match the strength of your tractor.

FM-580 Base package:

- 3-1/2" Smart Pac Lineless Bucket Cylinders
- 4" Lineless Smart Pac Lift Cylinders
- Freedom-Mount™
- Remote Control Coupler
- Mounting & Hose Kit
- Radiator Grill Guard
- Hydra-Snap™ Manifolds
- Rotational Level Indicator
- 98" Large Capacity Bucket

Options:

- 108" Lg. Capacity Bucket
- 3rd Steel Line
- Level UP Advantage
- Comfort Ride
- All Electronic Valve & Joystick Package
- Attachments (pp. 90-91)

Push A Button!

Change the Attachment

-- No trips in and out of the cab!

Remote Control coupler

NEW



One feature that you will really appreciate

With every use, you'll smile and give yourself a pat on the back for making a smart, value based purchase. Then smile a second time because you're in the cab and not out in the sweltering heat or in below zero temperatures trying to hammer out pins or pry up levers.



Of course... we're better connected than any loader on the market

Our famous REMOTE CONTROL COUPLER will spoil you like no other because you can change attachments as you like by pushing a button inside the cab...

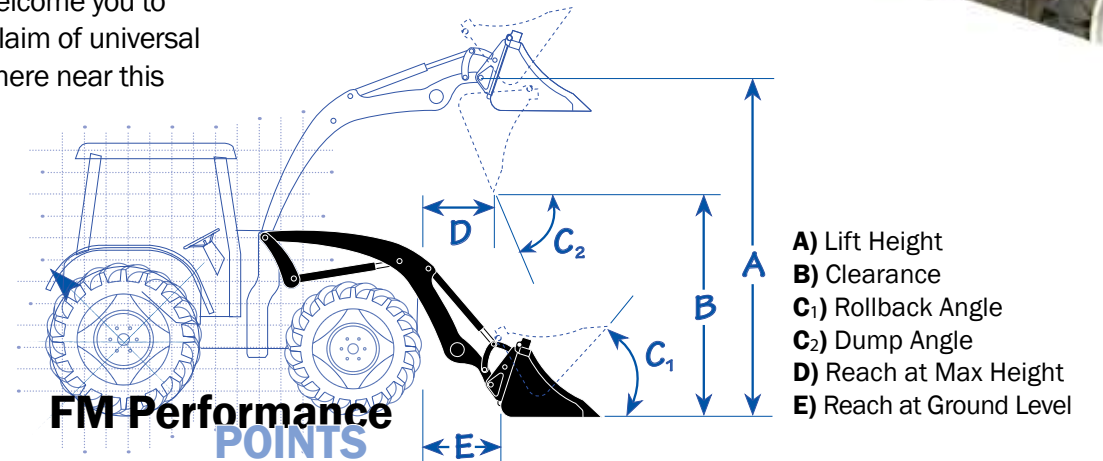
... this is done without adding another hydraulic lever. Even better, thanks to our unique patented design, the weight of the loader is efficiently used to accomplish this. We welcome you to compare. The others' claim of universal or euro style come nowhere near this new patented design.



Freedom Mount™ Series Attachments

	SS-I	SS-II	BH-15	SQ-80	SP-43	SP-76	SP-42	SP-72	SP-74	GF-32 TB-38	FB-42
FM-540	●	●	●	●	●	●	●	●	●	●	●
FM-550	●	●	●	●	●	●	●	●	●	●	●
FM-560	●	●	●	●	●	●	●	●	●	●	●
FM-570/580	●	●	●	●	●	●	●	●	●	●	●

	DB-84	DB-96	DB-120	SBB-8	SBB-10	SBB-12	VP-96	EB-34	FL-42 FL-48	BC-5000	BC-6000	BC-8000 BC-8800	Z-47	GF-184-3D
FM-540	●	●	●	●	●	●	●	●	●	●	●	●	●	●
FM-550	●	●	●	●	●	●	●	●	●	●	●	●	●	●
FM-560	●	●	●	●	●	●	●	●	●	●	●	●	●	●
FM-570/580	●	●	●	●	●	●	●	●	●	●	●	●	●	●



	FM-540	FM-550	FM-560	FM-570	FM-580
Tractor HP Rating (approximate)	up to 130 HP	up to 165 HP	up to 180 HP	up to 210 HP	up to 260 HP
A Full Height (ground to pin - feet/inches)	13' / 156"	14' / 168"	15' / 180"	15' / 180"	16' / 192"
B Clearance (bucket dump - inches)	102"	126"	136"	136"	141"
C₁ Rollback C₂ Dump Angle	38° 60°	36° 55°	40° 47°	40° 47°	
D Reach at Max Height	35"	16"	9"	9"	
E Reach at Ground Level (to pin)	35"	31"	16"	16"	
Lift Capacity - AWC* (31.5" from pin)	2800 psi 3000 psi 3600 3860	2800 psi 3000 psi 3900 4180	2800 psi 3000 psi 4700 5035	2800 psi 3200 psi 4700 5035	2800 psi 3000 psi 6740 7220
Lift Capacity - at Pivot Pin	5290 5670	6850 7340	7460 7990	7460 7990	8830 9460
Lift Cylinder - Std Opt.	3"	3-1/2"	3-1/2"	3-1/2"	
Bucket Cylinder - Std Opt.	3"	3-1/2"	3-1/2"	3-1/2"	
Bucket Sizes Available	86"	98", 108"	98", 108"	98", 108"	96", 108"

*For additional information on AWC Capacity - see page 11.
Note: Above specifications are based on ASABE S301.3 standard. Specifications may vary depending on make and model of tractor, front axle configuration, tire size, hydraulic system and type of attachment. Design specifications are subject to change without notice or obligation.