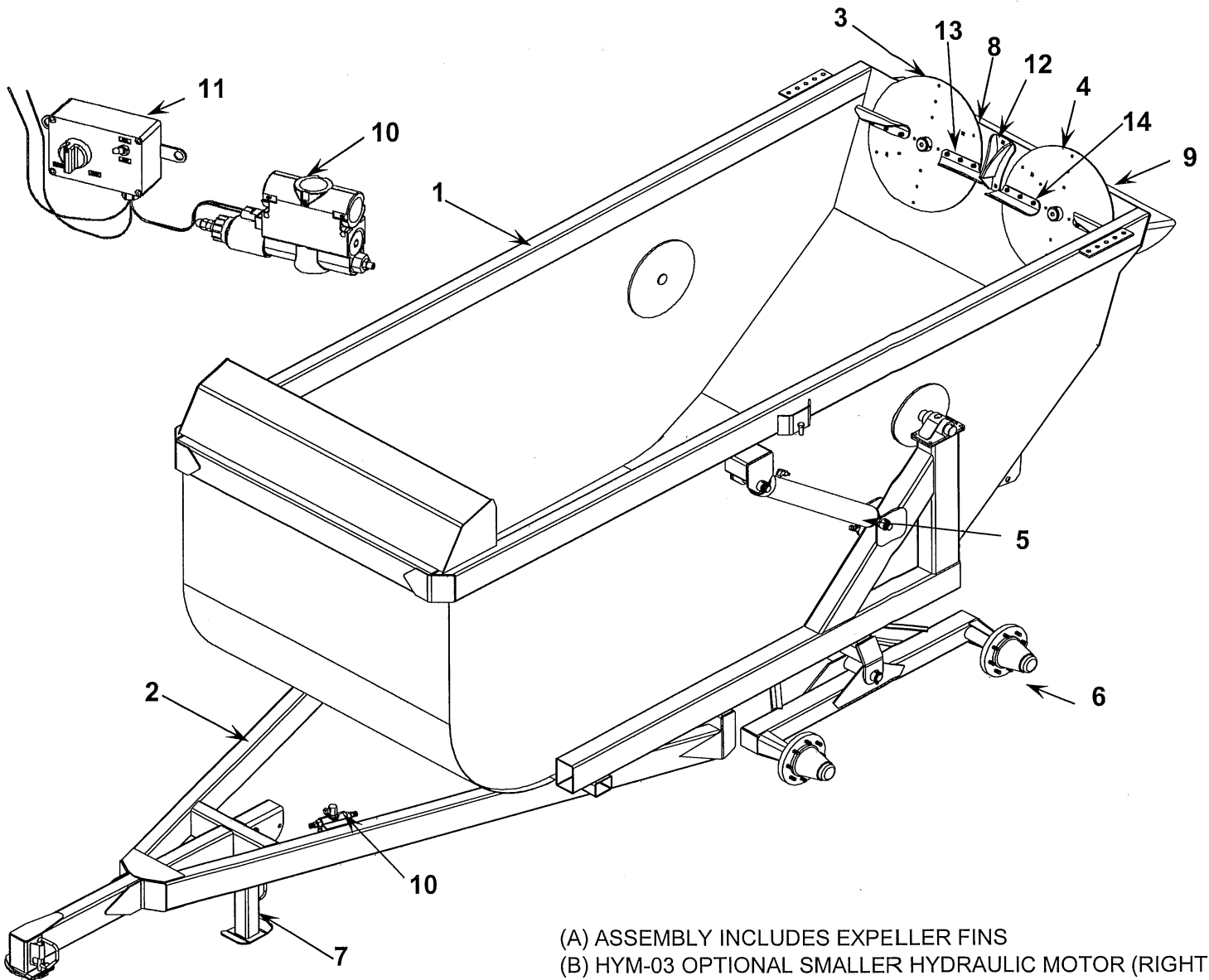


REF.	PART NUMBER	DESCRIPTION	QTY
1	DSB-1AS	SPREADER BOX ASSEMBLY	1
2	DSG-1AS	SPREADER GEAR ASSEMBLY	1
3 <sup>(A)</sup>	DSB-18AS-R	RIGHT EXPELLER ASSEMBLY	1
4 <sup>(A)</sup>	DSB-18AS-L	LEFT EXPELLER ASSEMBLY	1
5	M-14	CYLINDER	2
6	WW20	HUB COMPLETE	4
7	DSG-31AS	JACK STAND ASSEMBLY	1
8 <sup>(B)</sup>	HYM-01	HYDRAULIC MOTOR RIGHT SIDE	1
9 <sup>(C)</sup>	HYM-02	HYDRAULIC MOTOR LEFT SIDE	1
10	FCC-02	FLOW CONTROL VALVE	1
11	FCC-01	FLOW CONTROL	1
12	DSB-19AS	EXPELLER GUARD ASSEMBLY	1
13	DSB-26R KIT	1 RIGHT EXPELLER FIN & HARDWARE	-
14	DSB-26L KIT	1 LEFT EXPELLER FIN & HARDWARE	-

\*DSG-40C0M DRAW BAR



(A) ASSEMBLY INCLUDES EXPELLER FIN

(B) HYM-03 OPTIONAL SMALLER HYDRAULIC MOTOR (RIGHT)

(C) HYM-04 OPTIONAL SMALLER HYDRAULIC MOTOR (LEFT)