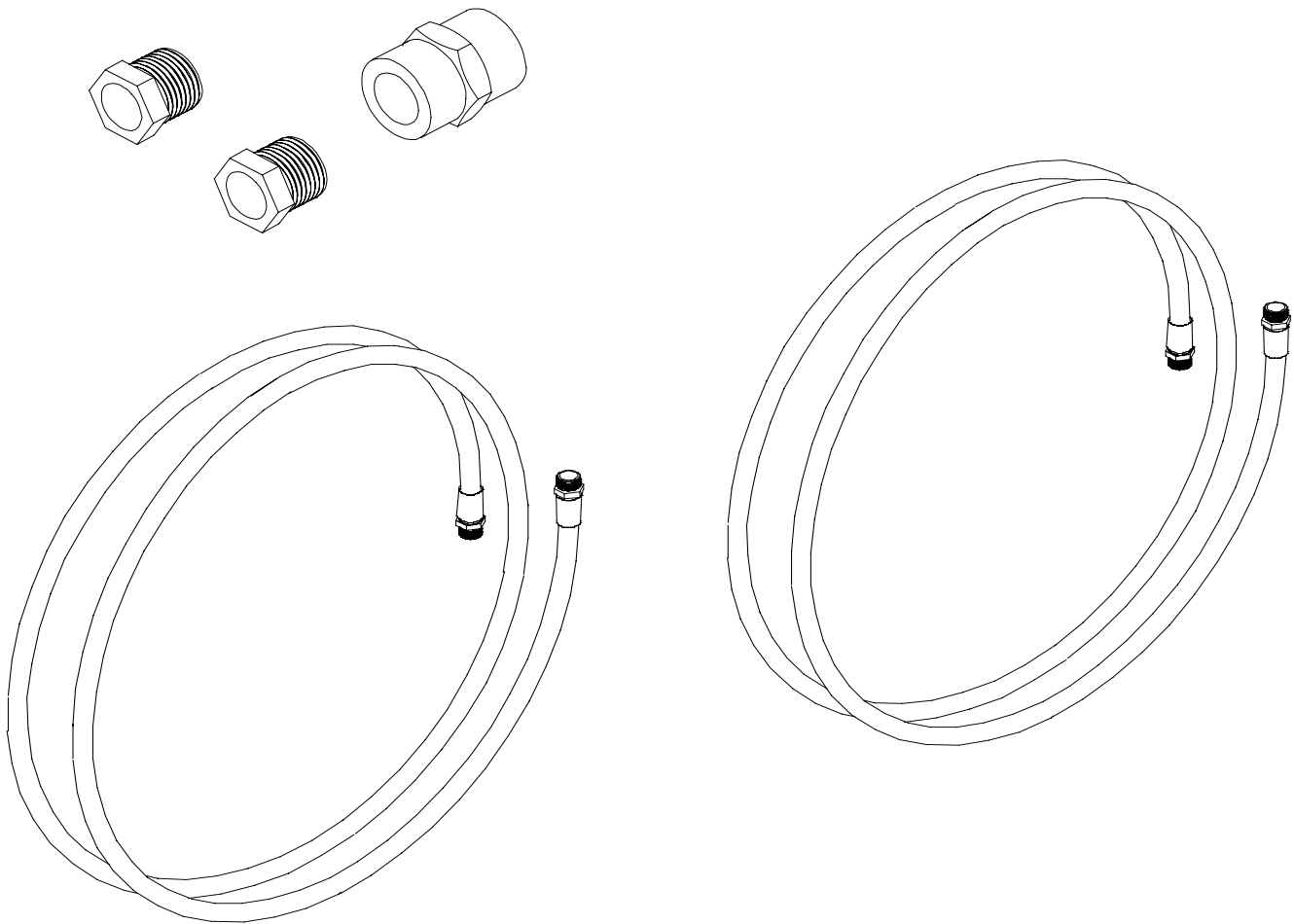


DSW-1 KIT

PARTS LIST

FOR USE WITH PFC HYDRAULIC SYSTEMS



READ THESE INSTRUCTIONS THOROUGHLY



WESTENDORF MFG. CO. INC.

ONAWA, IOWA 51040
PHONE: (712)-423-2762

www.loaders.com

DSW-1 KIT PARTS LIST

DR. BY: GJS DATE: 5/21/2007

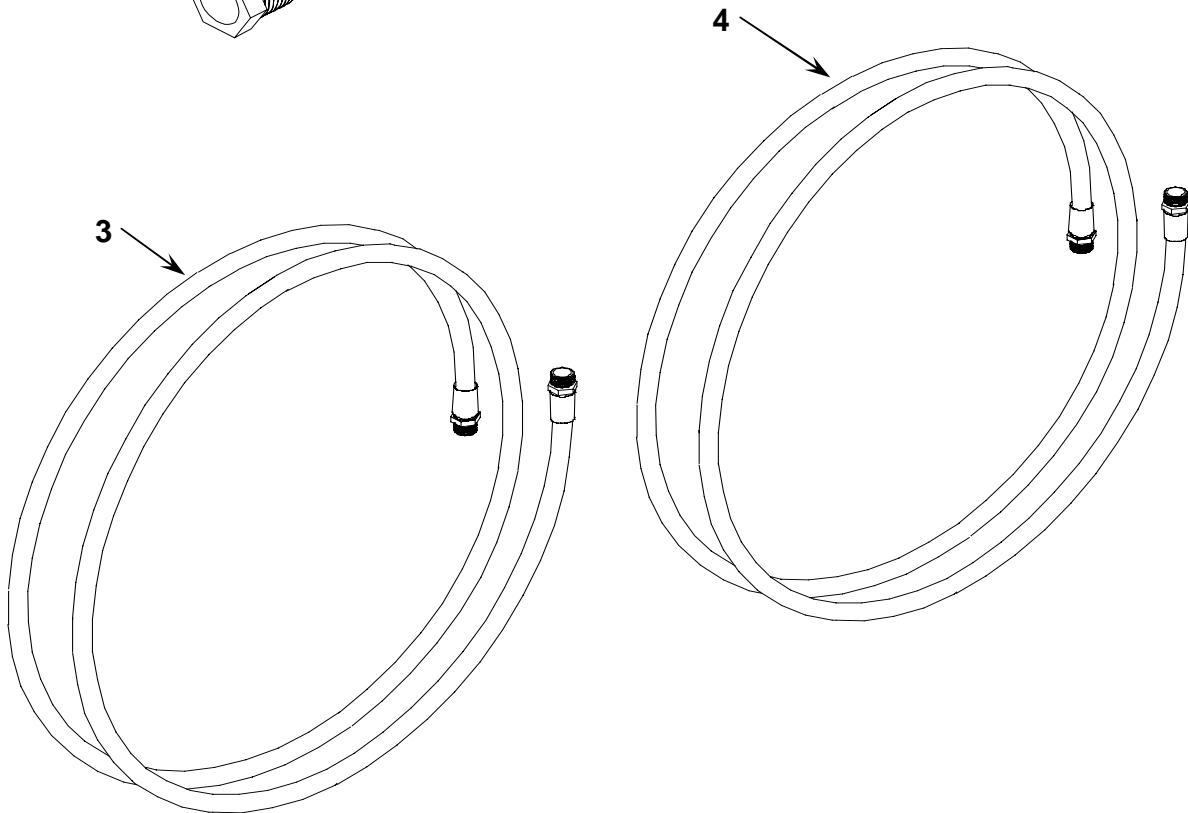
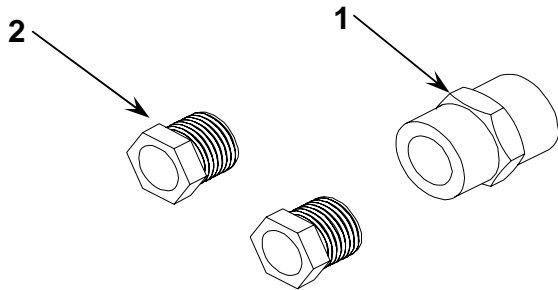
RN: 0

DATE:

BY:

PAGE: 1 OF 2

REF.	PART #	DESCRIPTION	QTY.
1	PF-CO08	COUPLING	1
2	PF-HB0608	HEX BUSHING	2
3	H06108-86	3/8" X 108" HOSE	1
4	H06120-86	3/8" X 120" HOSE	1



WESTENDORF MFG. CO. INC.

ONAWA, IOWA 51040

PHONE: (712)-423-2762

www.loaders.com

ASSEMBLY INSTRUCTIONS

DSW-1 KIT

DATE: 5/21/07
RN: 0 GJS
PAGE: 2 OF 2

DISCONNECT OIL LINE HERE
AT "EX" PORT ON VALVE

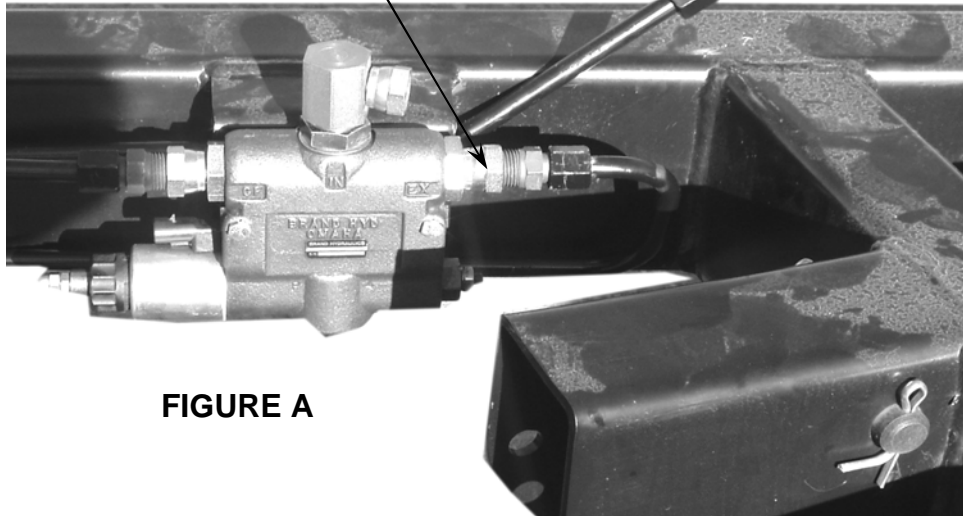


FIGURE A

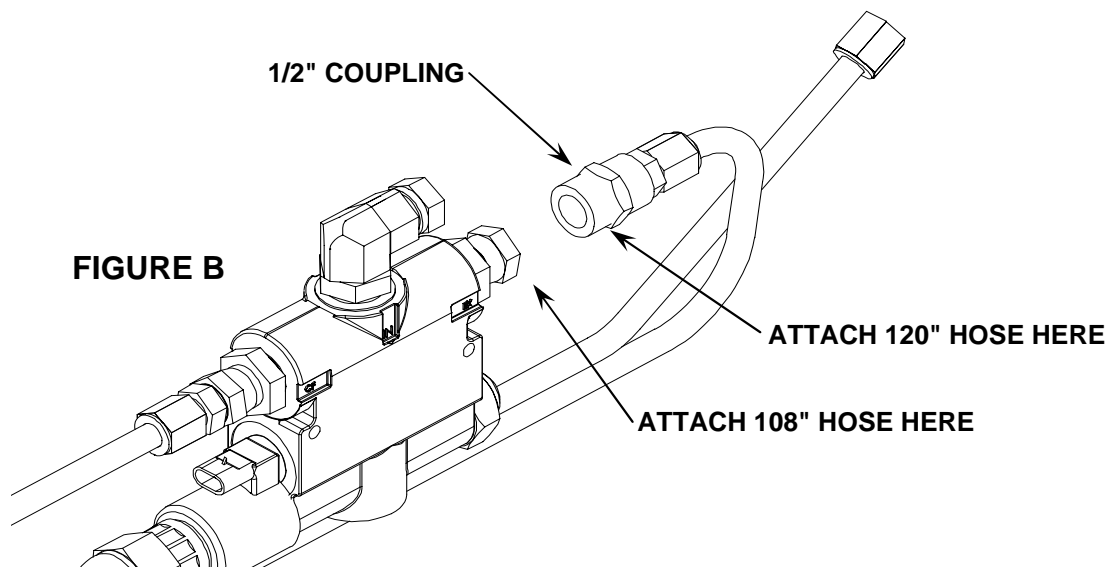


FIGURE B

Disconnect the oil line connected to the "EX" port on the valve as shown in Figure A.

NOTE: Fitting attached to the oil line must remain.

Attach the 1/2" coupling provided to the oil line and fitting, as shown.

Attach the 120" hose to the 1/2" coupling, as shown in Figure B.

Attach the 108" hose to the "EX" port on the valve, as shown in FIGURE B.

Attach hex bushings and male couplers to the ends of the hoses.

Attach the hoses from the valve to a paired set of hydraulic work ports on the back of the tractor.

Attach the hoses from the oil lines to a paired set of hydraulic work ports on the back of the tractor.