

BC-7000 BRUSH CRUSHER™ REPLACEMENT PARTS

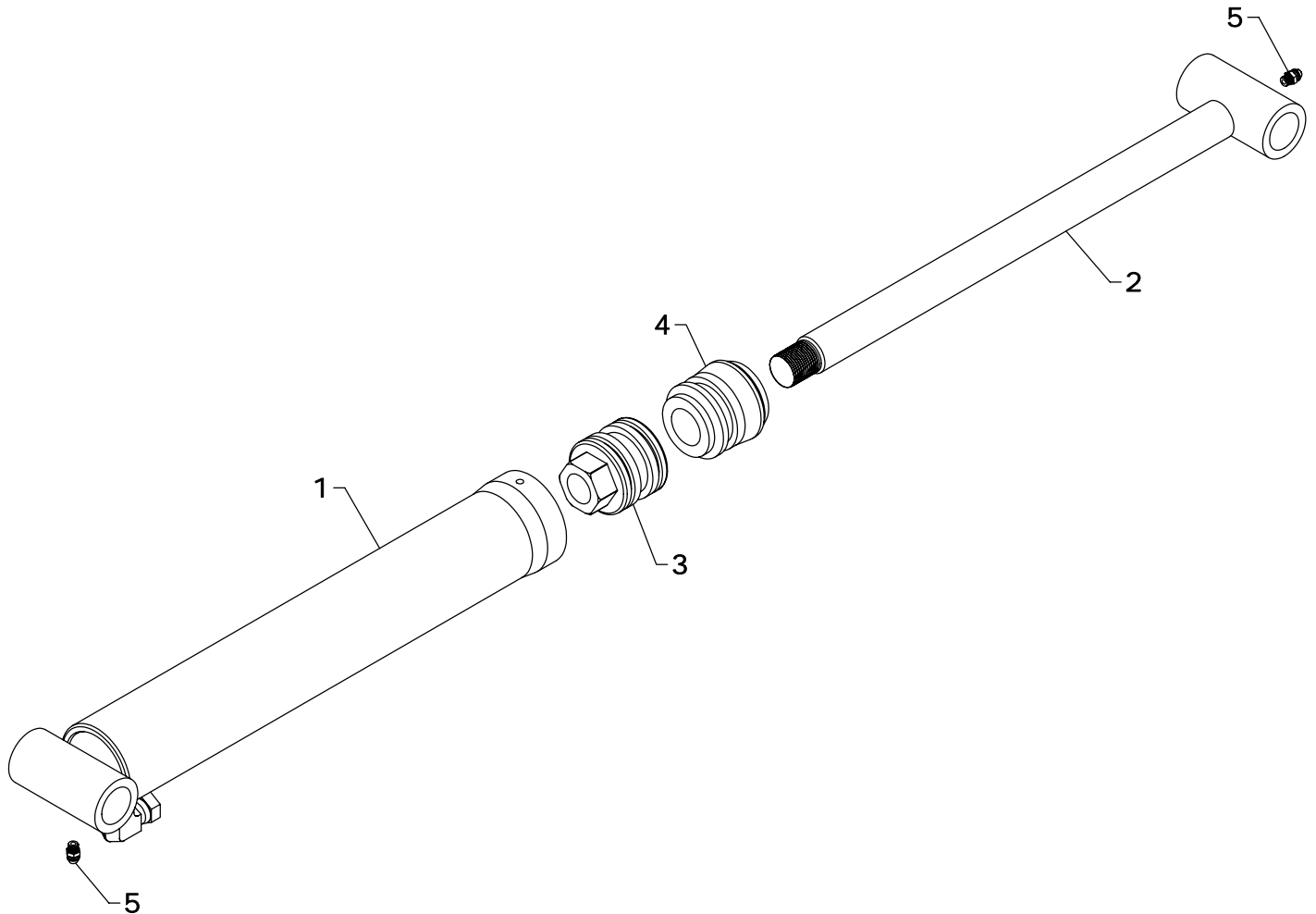
REF #	PART #	DESCRIPTION	QTY
1	BCP-1AS	FRAME	1
2	BCP-7	LEFT COVER	1
3	BCP-8	RIGHT COVER	1
4	BCP-9AS	UPPER TOOTH	2
5	M-15	CYLINDER	2
6	RAF-24	PIN	2
7	RAF-26	HEX HEAD PIN	2
8	XAF-54	LINKAGE PIN	2
9	RLP0700036	7/16" ROLL PIN	2
10	SR-C08	SNAP RING	4

REF #	PART #	DESCRIPTION	QTY
11	ZER1805	GREASE FITTING	2
12	PF-SWE04	90° SWIVEL ELBOW	2
13	PF-HPFT-4	1/4" SWIVEL NUT TEE	2
14	PF-HB0804	1/2" X 1/4" HEX BUSHING	2
15	FHW16014-Y	14" FLEX HOSE WRAP (NOT SHOWN)	1
16	FHW16016-Y	16" FLEX HOSE WRAP (NOT SHOWN)	1
17	FHW16021-Y	21" FLEX HOSE WRAP (NOT SHOWN)	1
18	HK-91	1/4" X 96" HOSE (NOT SHOWN)	2
		1/4" X 48" HOSE (NOT SHOWN)	4
19	HHS0616008	3/8" X 1/2" BOLT	2

NOTE: See next page for M-15 parts breakdown.

WESTENDORFMFG PWB017221

WESTENDORF MFG CO., INC. • PH: (712) 423-2762 • FAX: (712) 423-1460 • sales@westendorfmfg.com • www.loaders.com



STEPS TO REPAIR CYLINDER

- 1) Extend the ram out as far as possible.
- 2) At the ram end of the cylinder barrel you will find a snap ring located either on the face of the gland or inside the notch of the gland.
- 3) Locate the snap ring eyes (you may need to turn the gland inside the barrel to find the snap ring eyes). Compress the snap ring with snap ring pliers.
- 4) Remove the ram assembly (ram, gland, & piston) from barrel.
- 5) Notice the direction they are pointing so they can be properly re-assembled.
- 6) Remove the piston and gland from the ram.
- 7) Remove the old seals and rings and replace them with the new seals and rings. (Seal kits are packaged for several different cylinders. You may have extra parts)
- 8) Clean the cylinder with cleaner and a clean lint free cloth.
- 9) Lubricate the seals and rings to aid assembly.
- 10) Assemble the cylinder by reversing the order.

CYLINDER REPAIR TIPS

- When disassembling cylinders, keep the parts in correct orientation. Remove parts in sequence.
- Note the direction of the piston and gland. Lay out old seals and parts as they are removed.
- Assemble cylinder in proper order; lubricate to aid assembly.

M-15 CYLINDER REPLACEMENT PARTS

REF #	PART #	DESCRIPTION	QTY.
1	M-1501	BARREL	1
2	M-1510	RAM	1
3	P-J	PISTON	1
4	G-V	GLAND	1
5	ZER1805	GREASE FITTING	2
6	#34CK	REPAIR KIT	*

*NOTE: * Repair kit contains parts to repair one cylinder*