

BASIC BRUSH CRUSHER™ REPLACEMENT PARTS

REF #	PART #	DESCRIPTION	QTY.
1	BCP-129	PLATE	1
2	BCP-130COM	BRUSH CRUSHER UNIT	1
3	BCP-130AS-L	LINKAGE (LEFT)	1
4	BCP-130AS-R	LINKAGE (RIGHT)	1
5	BCP-135AS	LINKAGE	2
6	BCP-136AS	FRONT TOOTH	1
7	BCP-139AS	SMALL LINK	2
8	BCP-140AS	REAR TOOTH	1
9	BCP-142AS	SLEEVE *	1
10	BCP-145AS	PIN	1

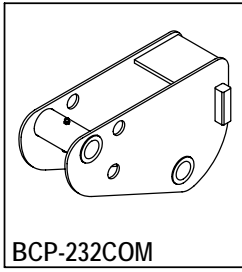
REF #	PART #	DESCRIPTION	QTY.
11	BCP-148AS	PIN	1
12	BCP-149	PIN	1
13	BCP-150	PIN	1
14	SR-C08	SNAP RING	8
15	SR-C10	SNAP RING	4
16	CBT1011056	5/8" X 3 1/2" CARRIAGE BOLT	1
17	HFN1011	5/8" NUT	1
18	QLP0400028	LYNCH PIN	1
19	ZER1805	GREASE FITTING	14
20	HAR-05	HAIR PIN	1

NOTE: * Some loaders may require a different sleeve other than the standard.

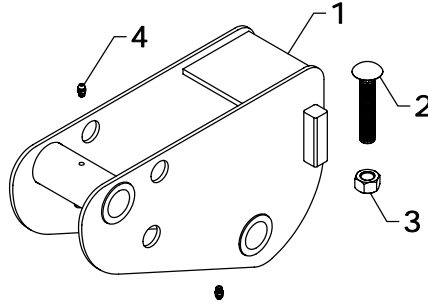
WESTENDORFMFG PWB013260

WESTENDORF MFG CO., INC. • PH: (712) 423-2762 • FAX: (712) 423-1460 • sales@westendorfmfg.com • www.loaders.com

BCK-020 SLEEVE KIT (SET OF 2)

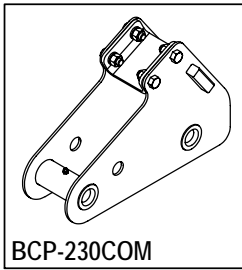


BCP-232COM

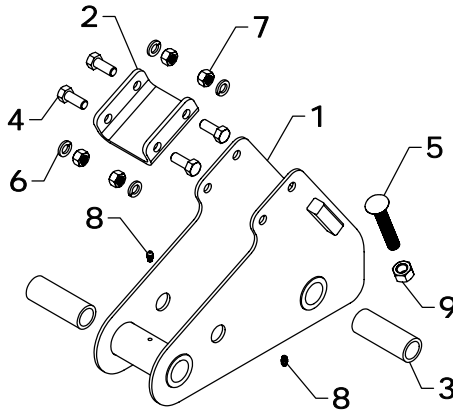


REF #	PART #	DESCRIPTION	QTY.
1	BCP-232AS	SLEEVE	1
2	CBT1011056	5/8" X 3 1/2" CARRIAGE BOLT	1
3	HFN1011	5/8" NUT	1
4	ZER1805	GREASE FITTING	2

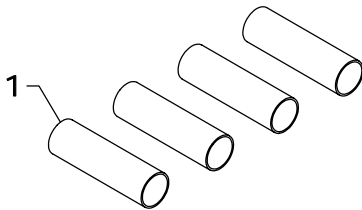
BCK-021 SLEEVE KIT (SET OF 2)



BCP-230COM

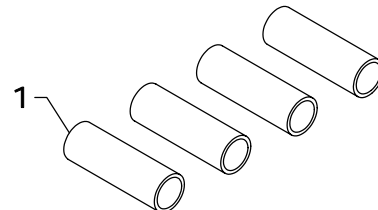


REF #	PART #	DESCRIPTION	QTY.
1	BCP-230AS	SLEEVE	1
2	BCP-231	TIE PLATE	1
3	BUS-176	1 3/8" BUSHING	2
4	HHS0813020	1/2" X 1 1/4" BOLT	4
5	CBT1011056	5/8" X 3 1/2" CARRIAGE BOLT	1
6	LWM08	1/2" LOCKWASHER	4
7	HFN0813	1/2" NUT	4
8	ZER1805	GREASE FITTING	2
9	HFN1011	5/8" NUT	1



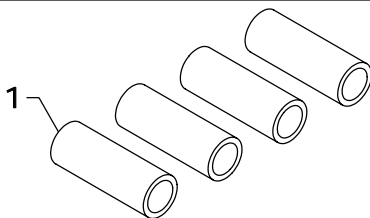
BCK-022 BUSHING KIT

REF #	PART #	DESCRIPTION	QTY.
1	BUS-214	1 1/8" BUSHING	4



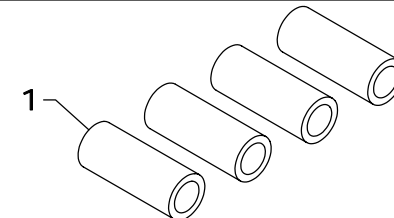
BCK-023 BUSHING KIT

REF #	PART #	DESCRIPTION	QTY.
1	BUS-211	1 1/4" BUSHING	4



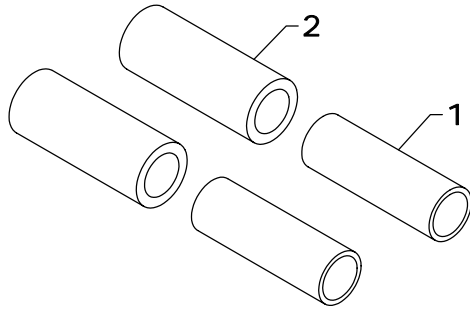
BCK-024 BUSHING KIT

REF #	PART #	DESCRIPTION	QTY.
1	BUS-176	1 3/8" BUSHING	4



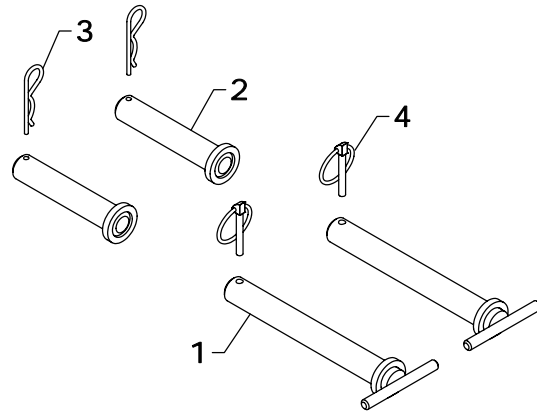
BCK-025 BUSHING KIT

REF #	PART #	DESCRIPTION	QTY.
1	BUS-216	1 1/2" BUSHING	4



BCK-026 SLEEVE KIT

REF #	PART #	DESCRIPTION	QTY.
1	BUS-211	1 1/4" BUSHING	2
2	BUS-216	1 1/2" BUSHING	2



BCK-030 PIN KIT

REF #	PART #	DESCRIPTION	QTY.
1	BCP-245AS	PIN	2
2	BCP-248AS	PIN	2
3	HAR-05	HAIR PIN	2
4	QLP0400028	LYNCH PIN	2