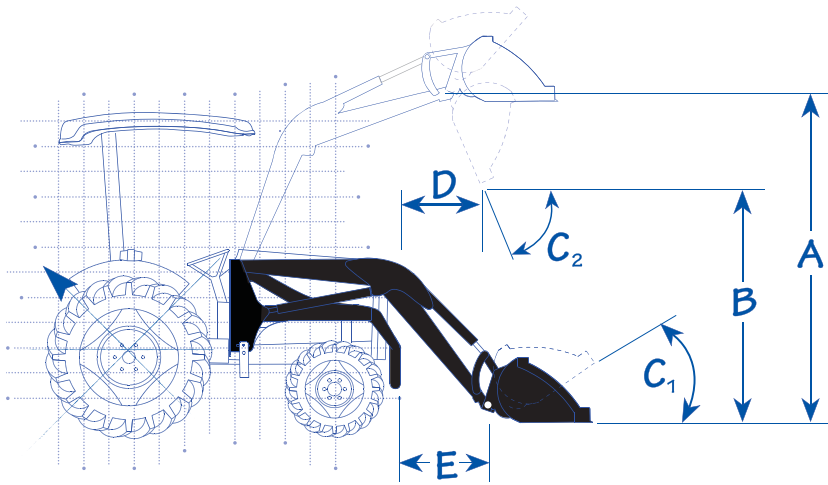


TA-185

SPECIFICATIONS



- A) Lift Height: **132" - 11'**
- B) Clearance: **109" - 9'1"**
- C) Bucket Roll Back Angle: **20°**
Bucket Dump Angle: **60°**
- D) Reach at Max Height: **28"**
- E) Reach at Ground Level: **22"**

	1800 PSI	2200 PSI
Lift Capacity - AWC* <small>(31.5" forward from pin)</small>	2880	3520
Lift Capacity - Pivot Pin	3865	4725

*AWC - Actual Working Capacity

PACKAGE COMPONENTS

- Hydraulic Power-Mount™
- Skid Steer Quick-Attach System
- Hose Kit
- Standard Bracket Set
- One Lever Joystick with Valve and Manifold Kit
- Bucket Gauge Rod
- 2-1/2" Lift & Bucket Cylinders
- 72" Skid Steer Bucket
- 60"-66" Skid Steer Bucket (opt)

LOADER SPECIFIC UPGRADES & ATTACHMENTS

Loader Upgrades

- Hydra-Snap™
- Hydraulic Valve Block
- Comfort Ride
- Power Beyond
- 3-Prong Bale Spear
- 60" Bucket Teeth
- 72" V-Plow
- Brush Crusher™
- Brush Crusher™ Finishing Teeth



WESTENDORF MANUFACTURING CO. INC.

P.O. BOX 29 • ONAWA, IA 51040 • PH: (712)423-2762 • FAX:(712)423-1460
Email: sales@westendorfmfg.com Website: www.loaders.com